

Operating instruction for electric fence controller HotShock 600

in connection with SECURA safety hints

Installation and connection: The installation must be made inside a building but not where there is a risk of fire. **The position of wall mounting see Fig. 2.** Fence and earth leads must be attached to the marked fence and earth terminals.

Operating: Plug the mains cable in a 110 V supply socket. After a few seconds a slight tic-tac can be heard. The control lamp flashes with the pulses.

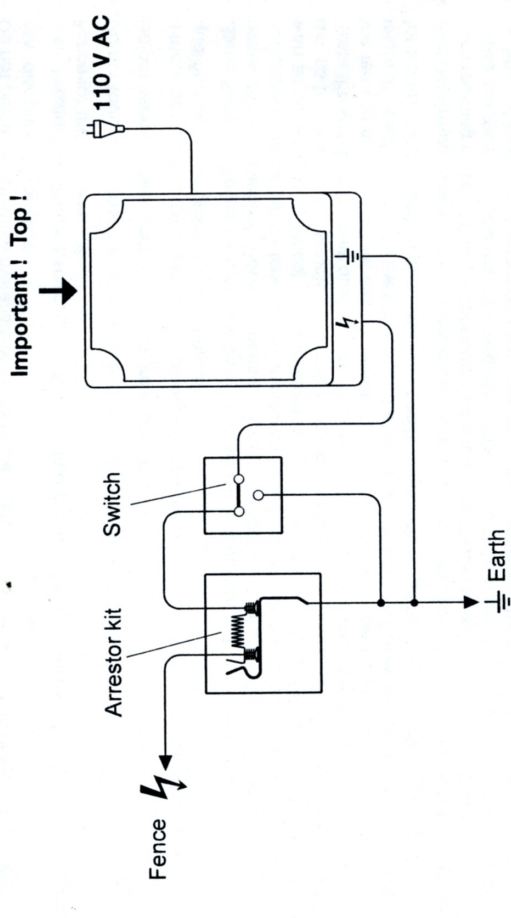
Grounding: For a faultless operation and to obtain best possible output a good grounding is very important. There fore the grounding must be made at a rather moisty and overgrown place. An 1 m earth stake(e.g. 12mm ø) and an additional 5m strip type earth conductor (two spades deep) shall be used. With long fences and on dry soil a ground return wire with intermediate groundings (every 50 m) is necessary. The distance between the system earth and the protective and system earth of the supply net work shall be at least 10m.

Requirements: The controller is designed to conform to the corresponding standard.

Service: Replace the circuit board if the controller does not work properly. Lightning damages can be recognized by burned traces. In this case return the controller to service station.

Important information, see page 04.

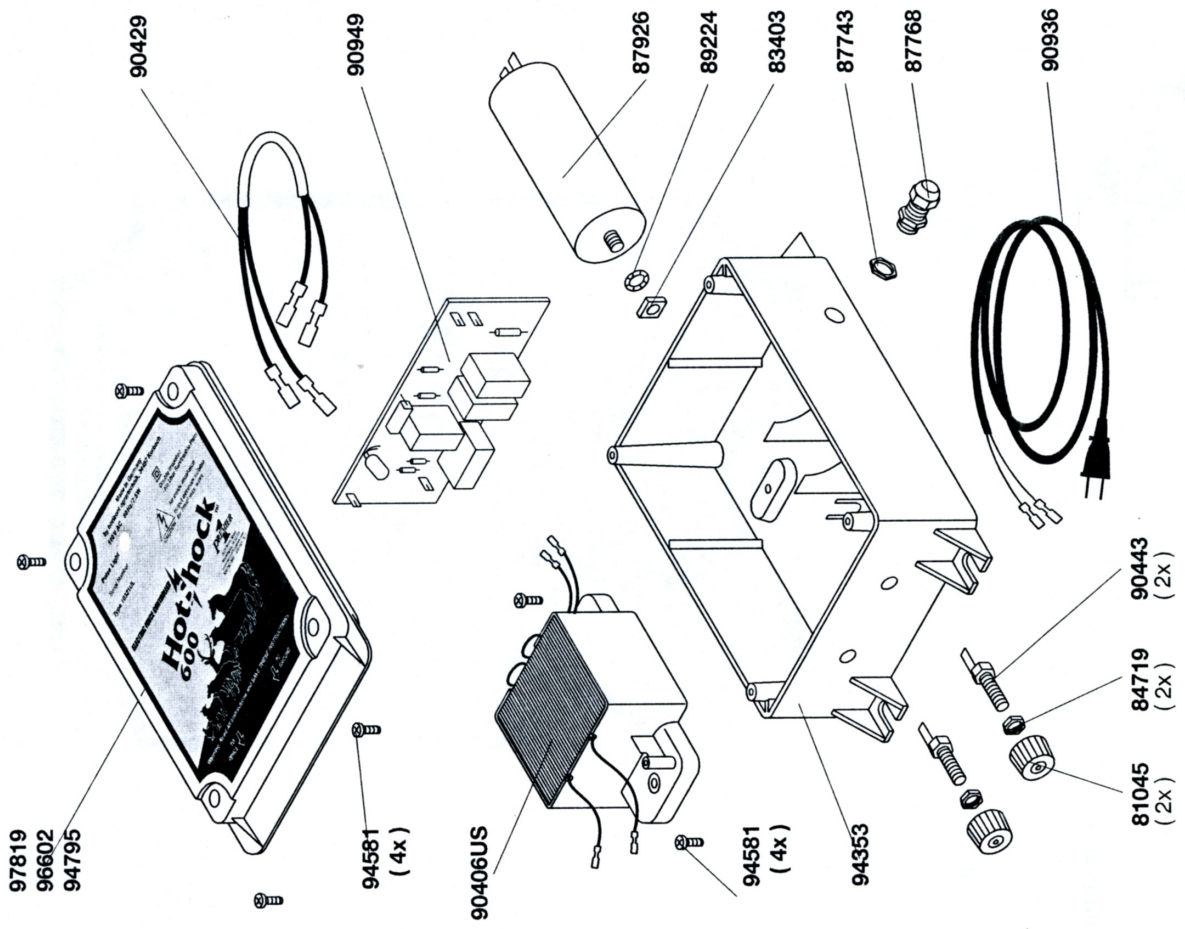
Fig. 2
Lightning suppression in buildings to prevent fire



Precautions against lightning damages

Lightning suppression in buildings to prevent fire: To prevent damages caused by lightnings the connection lead must have a lightning gap in series before entering the building. Furthermore the controllers being installed inside buildings and supplying outside fences shall not be installed at places where there is a risk of fire, e.g. barn, stables etc. The lightning suppression device must be installed by a competent person. According to experience mains controllers are more subject to lightning damage than battery controllers, so it is recommended to use lightning arrester kit. The installation is to carry out according to fig.1. The system earth of the electric fence shall be galvanically connected to the earthing system of the lightning arrester. If the connection lead is led away from a building a lightning arrester must be installed. Electric fences not being operated shall be connected to earth.

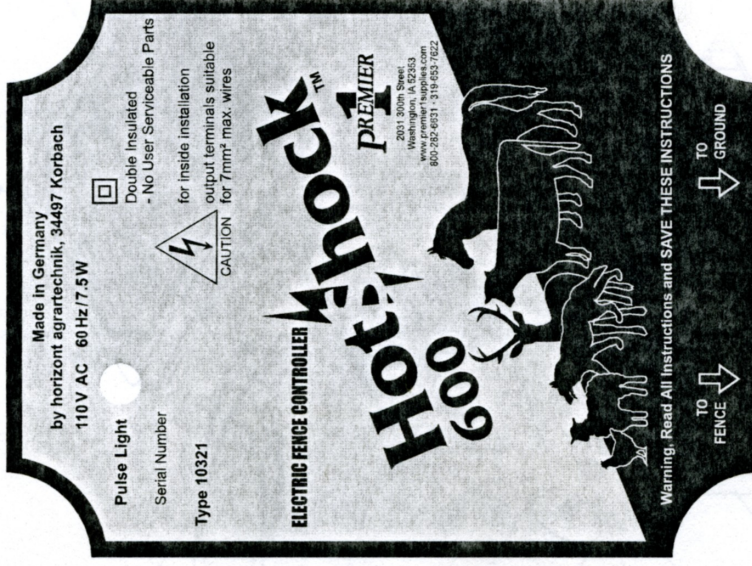
Fig. 1



Subject to alterations !

OPERATING INSTRUCTION Electric Fence Energizer

85774C
04/08



Voltage at no load..... max. 10000 V
Voltage at 500 Ω (animal contact)..... max. 5000 V

made in Germany
by horizont agrartechnik

PREMIER

2031 300th Street · Washington, IA 52355
www.premier1supplies.com
800-282-6631 · 319-653-7622

Important Information

- WARNING: Read all instructions.
- In areas of public access, use an electric fence warning sign (G6020) every 10m (33ft) to identify the electrified wire(s).
- Check your local ordinance for specific regulations.
- Avoid the fence line passing under or running parallel to power lines. If unavoidable, the crossing should be made underneath the power and at right angles to it. Where they are in the vicinity of overhead power lines, no fence wires should be higher than 2m (6ft) above the ground.
- Fence wiring should be installed well away from any telephone or telegraph line or radio aerial.
- Do not use more than one Energizer on the same fence line at one time.
- Do not electrify barbed wire in an electric fence.
- WARNING: Risk of Electric Shock. Do not connect simultaneously to a fence and to any other device such as a cattle trainer or a poultry trainer. Otherwise, lightning striking your fence will be conducted to all other devices.
- Do not install an earth (ground) system for your Power Fence within 10m (33ft) of any utilities type ground system.
- Use lead-out cable in buildings and where soil could corrode exposed galvanised wire. Never use household electrical cable. It is made for a maximum of 600 volts and will leak electricity.
- Refer servicing to qualified service personnel.
- Do not place combustible materials near the fence or Energizer connections. In times of extreme fire risk, disconnect Energizer.
- Train livestock to Power Fencing prior to entry into pastures. Allow livestock to approach a Power Fence for the first time without stress.
- Do not touch live fence with the head or mouth, or become entangled.
- Do not handle power cord if temperature is below +5°C.
- If the supply cord is damaged, it must be replaced by the manufacturer or its service agent or similarly qualified person in order to avoid a hazard.
- Game Fencing: Power Fencing has been used widely throughout the world for game animals, deer, bears, elk and elephant. Power Fences are a psychological barrier and should not be considered a complete physical barrier fence. With any Power Fence occasional animal penetration may occur (as with any other type of fence), it is important for game fencing to have power on the fence the same day as the fence is constructed. Animals investigating the new obstruction will be shocked and will relate the shock to the new obstruction. If no power is on the fence and animals learn to walk through the fencing system with no electric shock, this causes major problems later on since they will not relate the electric shock to the fence after the power is turned on. A Power Fence is not recommended for animals under hunting pressure. For specific questions on game fencing contact your dealer.
- Bird Deterrent: Where the Energizer is used to supply a system of conductors used for deterring birds from roosting on buildings, no conductor should be connected to earth. A switch should be installed to provide means of isolating the Energizer from all poles of the supply and clear warning signs should be fitted at every point where persons may have ready access to the conductors. The notice should bear the words "LIVE WIRES" in block letters not less than 13mm (1/2" high). The letters should be red on a white background. Each notice should be at least 62mm x 50mm (2 1/2" x 2").

SERVICE OF DOUBLE INSULATED APPLIANCES: in a double insulated controller, two systems of insulation are provided instead of grounding. No equipment grounding means is provided in the supply cord of a double-insulated controller, nor should a means for equipment grounding be added to the controller. Servicing a double insulated controller requires extreme care and knowledge of the system, and should be done only by qualified service personnel. When servicing, use only identical replacement parts. A double insulated controller is marked with the words "DOUBLE INSULATION" or "DOUBLE INSULATED". The symbol for double insulation may also be marked on the appliance.