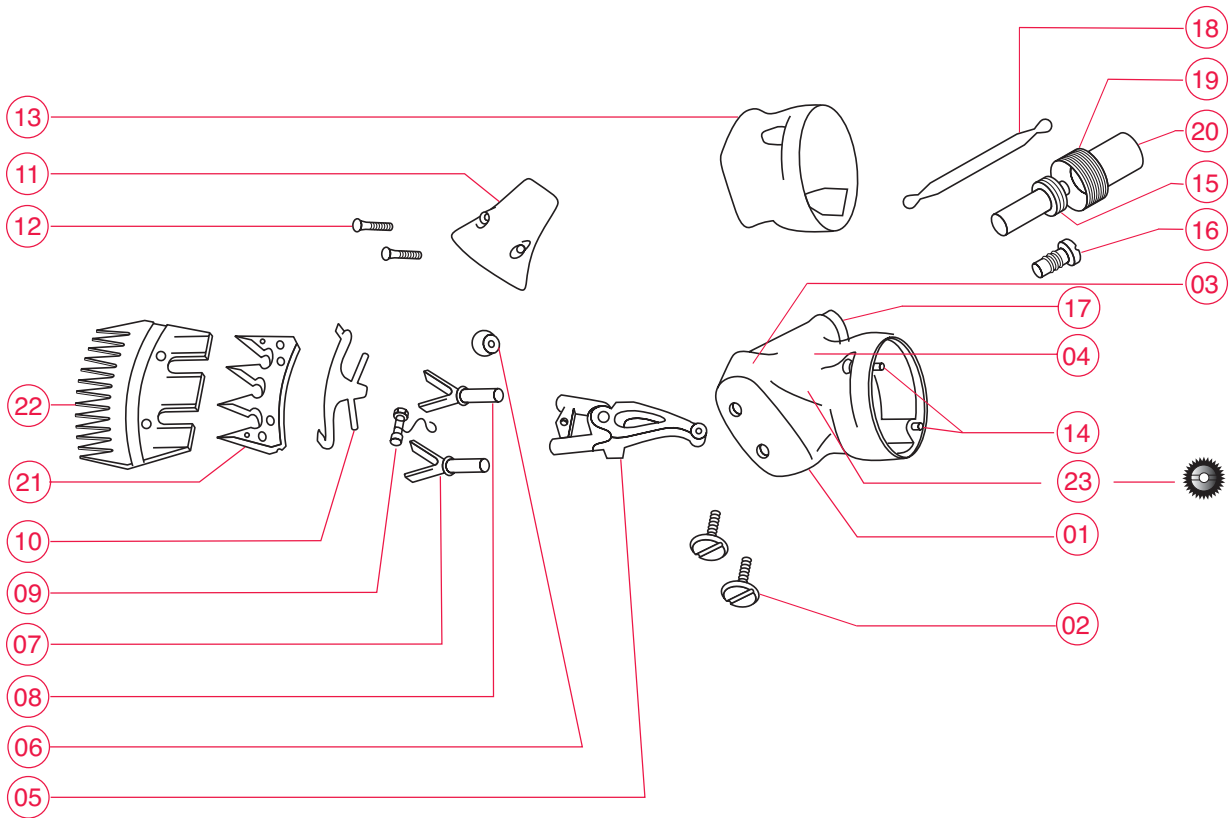


Silver Head Shearing Head Parts



Item No.	Part No.	Description	No. Per Set
01	89600800	Shear head body	1
02	89230800	Blade retaining screw	2
03	89600060	Shaft	1
04	89220100	Fulcrum post	1
05	89600180	Fork guide bracket	1
06	87200050	Eccentric ball	1
07	89220200	Fork finger left	1
08	89220190	Fork finger right	1
09	87200760	Retaining spring	1
09	87200770	Washer	1
09	88000060	Bolt	1
09	87200750	Nut	1
09	87200760	Spring	1
10	89230210	Cutter retainer	1
11	89600020	Black shear head front cover	1
12	89600030	Screw for front cover	2
13	89600040	L & R black plastic shear head cover	1
14	89600610	2 screws & 2 washers shear head to motor	2
15	89600840	Sliding sleeve	1
16	89600090	Fitting screw	1
17	89600630	Screwed bushing	1
18	87200790	Shear head tension pin	1
19	89600750	Regulating nut	1
20	89600660	Cap for regulating nut	1
21		Cutter	1
22		Comb	1
23	89500080	Shear gear 31 tooth	1