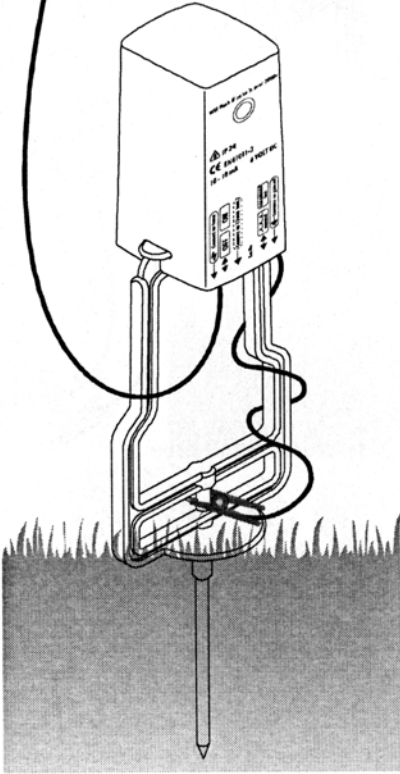


# OPERATING INSTRUCTION

85824F - 02/05

## Electric Fence Energizer



made in Germany  
by horizont agrartechnik gmbh

**1**  
**PREMIER**

2031 300th Street  
Washington, IA 52353  
www.premier1supplies.com  
800-282-6631 · 319-653-7622

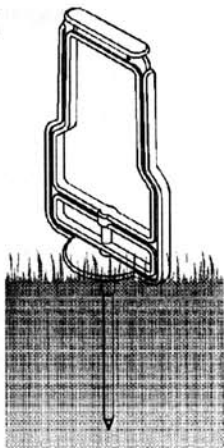
**INTELLISHOCK™**  
**12B**

Type 10435

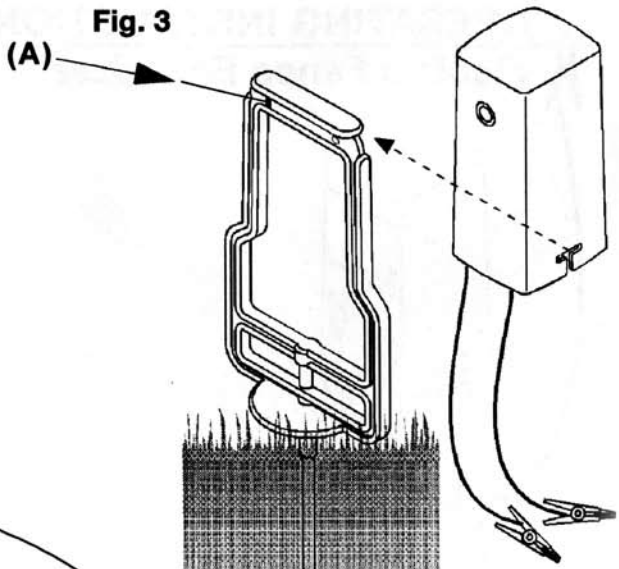
6V DC

9-12VDC (ext.)

**Fig. 1**



**Fig. 3**



**Fig. 2**

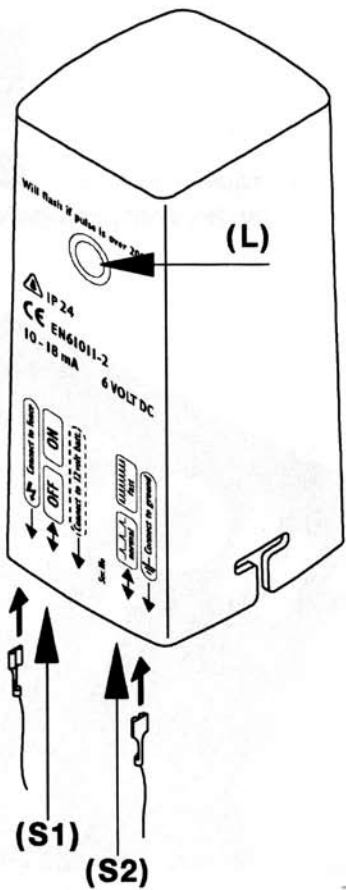


Fig. 4

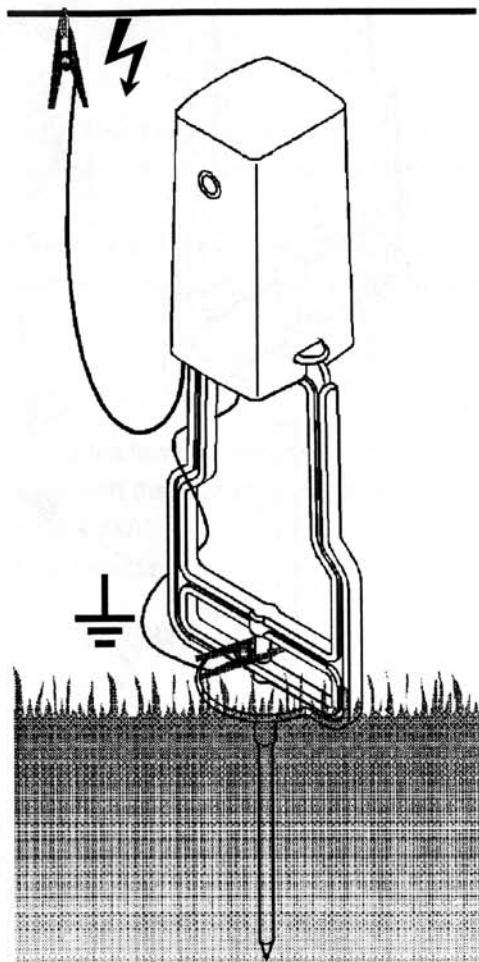
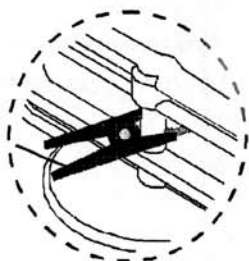
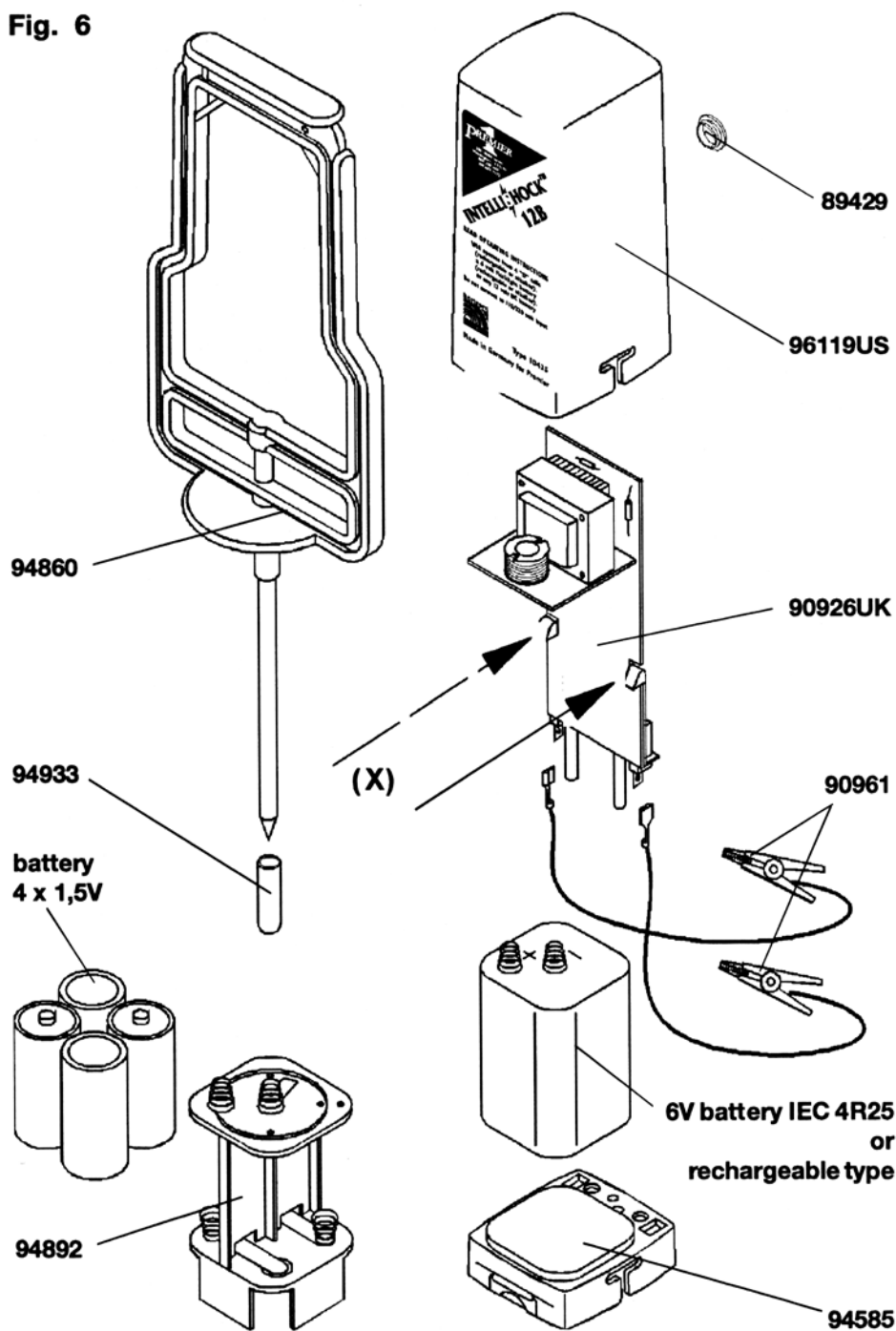


Fig. 4a



**Fig. 6**



# Operating instructions for electric fence controller INTELLISHOCK™ 12B

in connection with SECURA safety hints

## Mounting and connections:

Tread the earth spike and support bracket into the ground as far as it will go, preferably in a damp place (fig. 1). Insert battery into the fencer and attach the earth and fence connection leads (fig. 2).

Slide the fencer on the support bracket right to the end (fig. 3). Connect the earth lead to the metal part of the earth spike and the fence lead to the fence line (fig. 4) ensuring that the crocodile clips grip firmly.

## Operation and control:

(Fig. 2) Press switch ( **S1** ) OFF-ON: After a few seconds a slight ticking should be heard. The indicator light ( **L** ) flashes with the rhythm of the pulses. It will cease flashing if the fence voltage falls below 2000V.

Possible reasons for low fence voltage include:

- 1) Flat battery
- 2) Excessive vegetation growth on the fence line
- 3) Poor fence insulation, insulator flashover
- 4) Fence line too long for this fencer

Check the battery and fence line on a regular basis

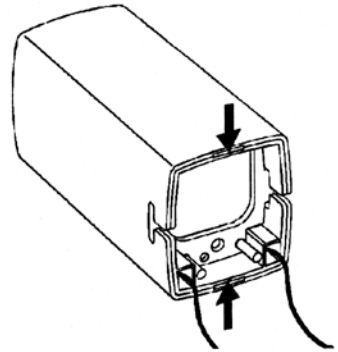
## Switch ( **S2** ):

This allows switching from fast  pulse to normal 

Use the "fast" position for training animals or for additional security in unpredictable conditions. Use the "normal" position for well trained animals or when security is not too important and conditions are more normal.

### **Changing the battery (Fig. 5):**

Remove the fencer from its mounting bracket and open the bottom by using a screwdriver. Remove the base of the fencer and change the battery. Ensure the contacts are at the top. The battery will make contact with the correct terminals regardless of its rotation. Finally press the base back into position until it snaps closed.



**Fig. 5**

**Please check the appearance of batteries monthly !**

**Remove batteries, when unit shall not be used !**

### **Suitable battery types include:**

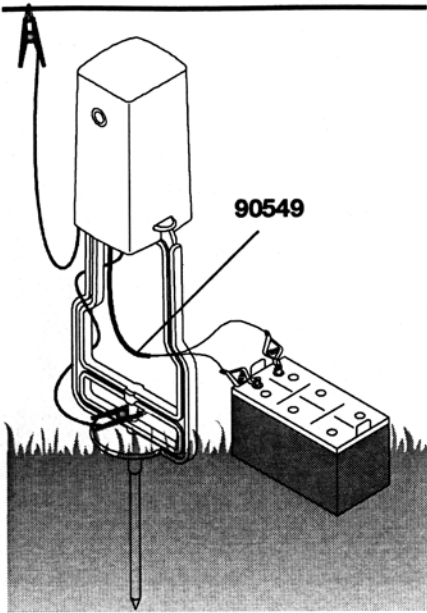
6V lantern type IEC 4R25 (single) or 1,5V D cells R20 /LR 20 (4 required) and use with enclosed adapter (part.no. 94892) or rechargeable type (Fig. 6).

### **Service:**

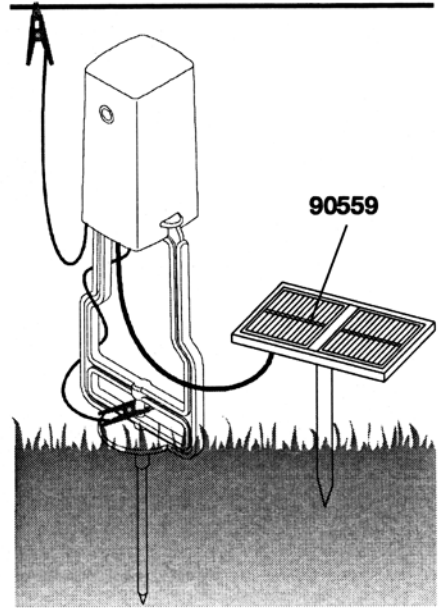
All of the electronic components are on a single module. To remove this, first take out the battery. The module which then becomes visible, has slots on both sides with a "snap" connector on both ( Fig. 6 / X ). Pressing both snap connectors simultaneously enables the module to be removed.

### **Safety requirements:**

This fencer is designed to conform to the appropriate current CE and other European standards.



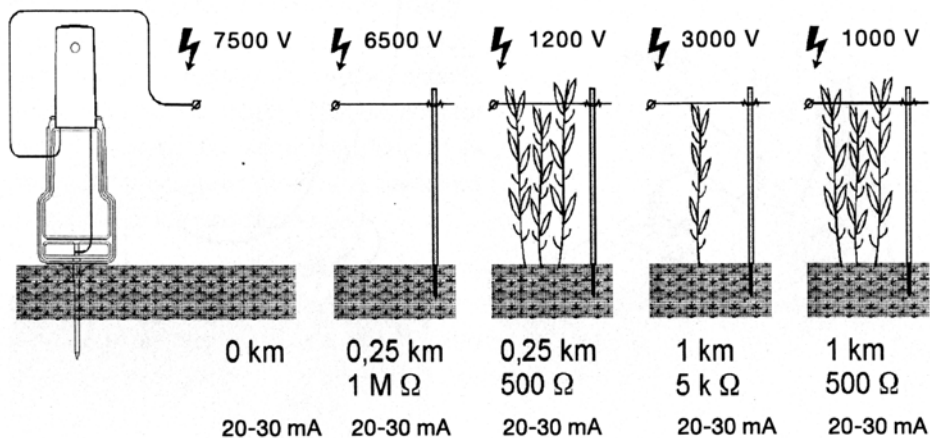
9-12V supply is possible alternatively by using a special cable (part.no. 90549)



The hobbygard can be supplied from a solar-panel (part.no. 90559 incl. cable), where during the night the built-in batteries provide the powering

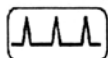
**Subject to technical alterations without notice !**

# Technical Data

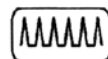


## Operation hours

**Battery:**      4x R20      1x 4R25      1x4R25      4x LR20  
                          7 Ah            7 Ah            50 Ah            15 Ah



~ 400 h            ~ 400 h            ~ 2500 h            ~ 800 h

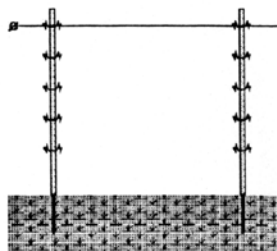


~ 240 h            ~ 240 h            ~ 1600 h            ~ 500 h

**Weight, with battery :** ~ 1,5 kg

**CEE: max. fence line length**

max. 3 km



max.  $\frac{3}{3}$  km

