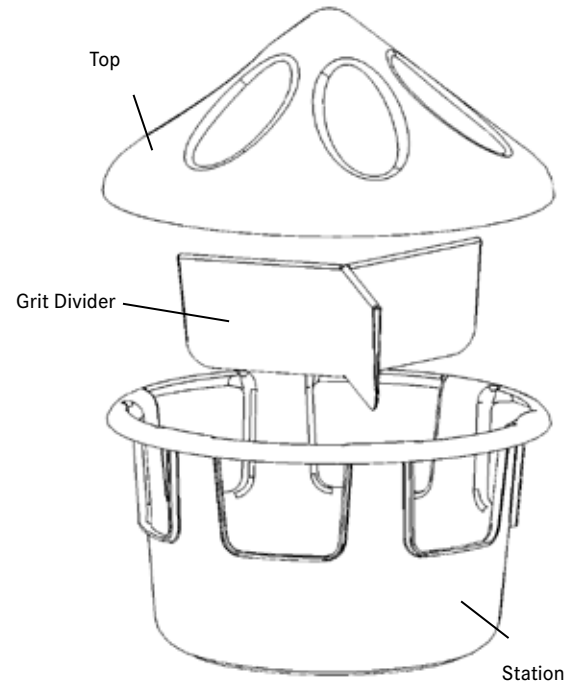


# Grit Station #540045

1. Insert the grit divider into the station, rounded edges should be at the base of the feeder.
2. Fill individual sections with grit.
3. Snap top onto the Grit Station.



[www.premier1supplies.com](http://www.premier1supplies.com)

800-282-6631

© Copyright 2016, Premier1Supplies. All rights reserved.