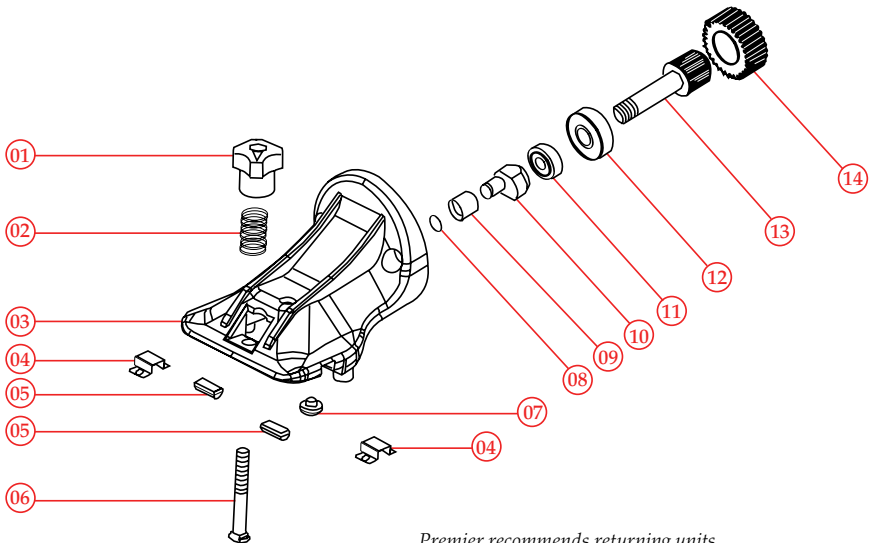


Premier 4000c Clipper Head Parts

Item No.	Part No.	Description	No. Per Set
01	82800401	Tension Nut	1
02	82800402	Tension Spring	1
03	82800403	Clipper head w/o access	1
04	82800404	Upper Blade Insert	2
05	82800405	Upper Blade Guides	2
06	82800406	Tension Bolt	1
07	82800407	Blade Positioner	1
08	82800408	Tension Lock Spring	1
09	82800409	Crank Spindle Cover	1
10	82800410	Excenter Head	1
11	82800411	Small Bearing	1
12	82800412	Bearing	1
13	82800413	Crank Spindle	1
14	82800414	Gear	1



Premier recommends returning units back to us for internal repairs.