

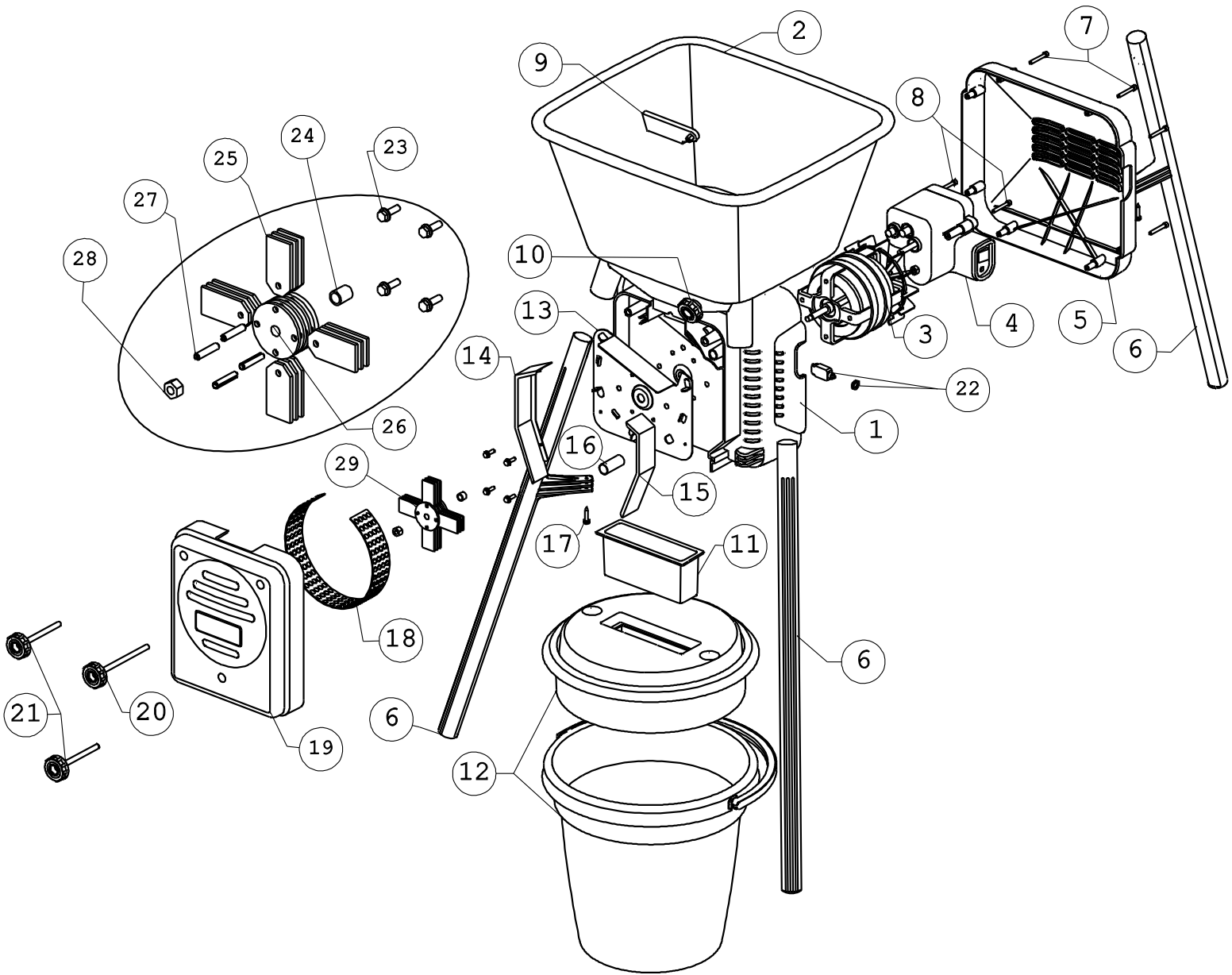
Bravo Grinder

| Type of Grain | Sieve Size | lbs ground | time | time in hours | time (hrs) for a bushel | bushel/hr |
|---------------------------|------------|------------|-----------|---------------|----------------------------|-----------|
| Corn (56 lbs/bushel) | 8 | 5 | 35 sec | 0.0097 | 0.10864 | 9.20 |
| | 6 | 5 | 42 sec | 0.012 | 0.1344 | 7.44 |
| | 4 | 5 | 1.38 min | 0.023 | 0.2576 | 3.88 |
| | WSL 2.5 | 5 | 7.05 min | 0.12 | 1.344 | 0.74 |
| | 1 | 1 | 2.18 min | 0.036 | 2.016 | 0.50 |
| Soy Beans (60 lbs/bushel) | 8 | 5 | 36 sec | 0.01 | 0.12 | 8.33 |
| | 6 | 5 | 57 sec | 0.0158 | 0.1896 | 5.27 |
| | 4 | 5 | 4.58 min | 0.076 | 0.912 | 1.10 |
| | WSL 2.5 | 5 | 17.38 min | 0.29 | 3.48 | 0.29 |
| | 1 | 1 | 5 min | 0.083 | 4.98 | 0.20 |
| Wheat (60 lbs/bushel) | 8 | 5 | 27 sec | 0.0075 | 0.09 | 11.11 |
| | 6 | 5 | 36 sec | 0.01 | 0.12 | 8.33 |
| | 4 | 5 | 1.25 min | 0.021 | 0.252 | 3.97 |
| | WSL 2.5 | 5 | 7.02 min | 0.117 | 1.404 | 0.71 |
| | 1 | 1 | 3 min | 0.05 | 3 | 0.33 |



800-282-6631
www.premier1supplies.com

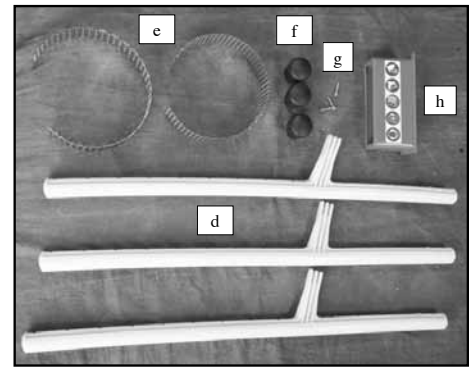
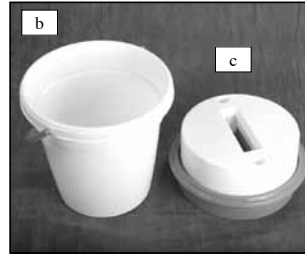
Washington, IA



Bravo Grinder assembly instructions #530080

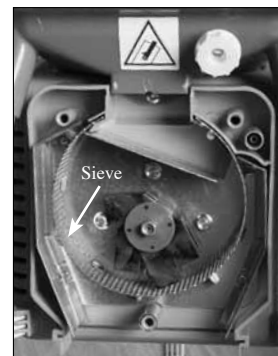
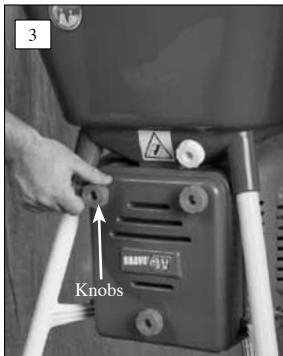
PARTS

- a. 1 mill with hopper—shown with legs already attached comes in box without legs
- b. 1 bucket
- c. 1 bucket lid
- d. 3 plastic legs
- e. 2 sieves
- f. 3 caps for legs
- g. 3 screws
- h. 1 feed guide



1. Insert leg (d) into frame of mill. Twist leg so it interconnects with the slots on the frame. Insert screw (g) to secure leg.

2. Place rubber caps (f) onto bottom of legs. Set the grinder on its legs.



3. Remove mill cover by unthreading knobs. A sieve (e) is already installed. If you wish to change sieve sizes, remove original sieve and replace with new sieve. Sieve fits into mill as shown. Place feed guide (h) into slots below mill.



4. Attach mill cover. The longer knob goes into the top right hole in the cover.

5. Place the lid onto the bucket (b). Press down on the lid (c) and slide the bucket under the feed guide (h).

6. Feed height can be adjusted by the knob above the mill cover.

The grinder is ready to use.