

Tripod Waterer #530027

PARTS

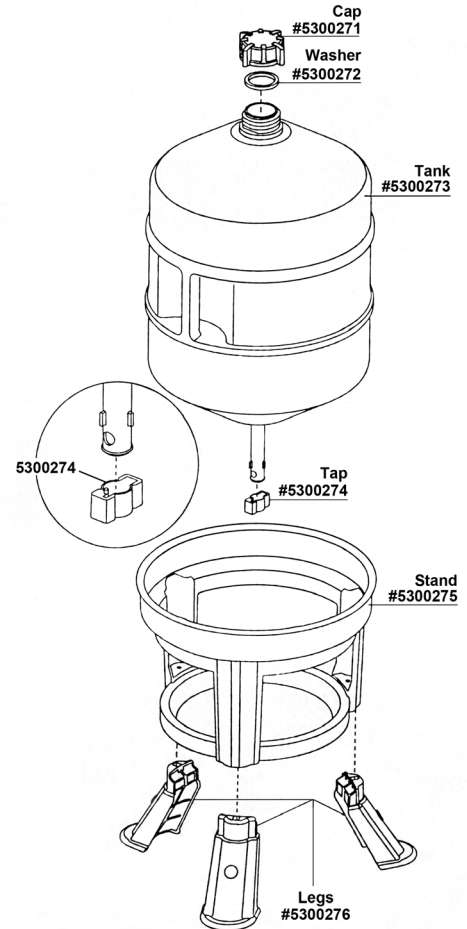
Cap	#5300271
Washer	#5300272
Tank	#5300273
Tap (valve)	#5300274
Stand	#5300275
Legs	#5300276

ASSEMBLY

Your Tripod Waterer will arrive with the white tower portion inserted into the red frame. Push down on the tower to be sure the tower is completely seated in the frame. Install the three legs following the photos shown on the side of the box. The legs pop into place with pressure. Once all three legs are installed, your waterer is ready to use.

HOW TO USE

- 1) Turn the black valve at the bottom of the white tower so that it covers the round hole that is at the bottom of the white tower.
- 2) Remove the black cap at the top of the white tower and fill with water. The valve at the bottom may allow a few drops through, this is normal. If a lot of water is rapidly filling the red trough, then check to be sure the valve is closed as described in step #1.
- 3) Screw the black cap tightly onto the waterer once it is filled to the desired level. You can now carry the waterer to its final destination using the handle on the white tower portion.
- 4) Position the waterer on level ground (failure to do so will result in water spilling over the trough and not working correctly).
- 5) Once positioned on level ground, turn the black valve at the bottom of the base to allow the water to fill the trough. It will stop flowing once the water level covers the hole and seals by vacuum pressure.



800-282-6631

premier1supplies.com

© Copyright 2022, Premier1Supplies. All rights reserved.