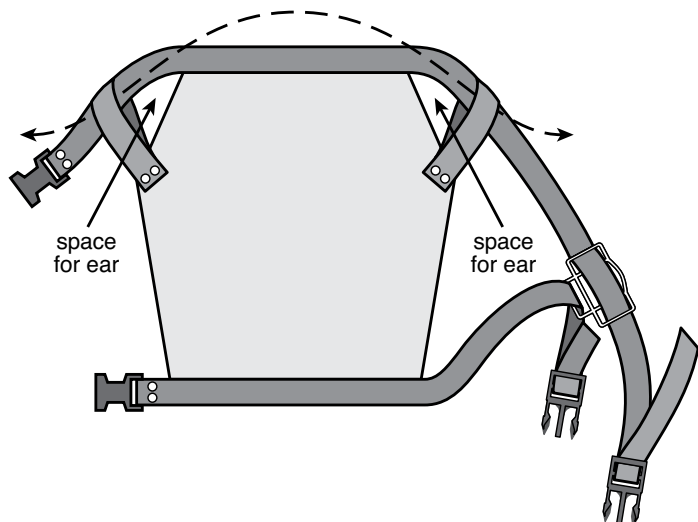


# Polled Ram Shield

#505800 & #506000



800-282-6631

[www.premier1supplies.com](http://www.premier1supplies.com)

Washington, IA

© Copyright 2016, Premier1Supplies.  
All rights reserved.

**The ram will not be able to see forward, so he will not be aggressive, but he will be able to see from side to side.**

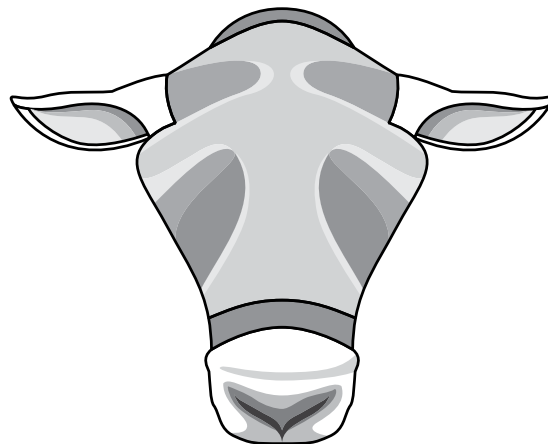
Check the ram after the first 24 hours of wearing shield, to see that he has not gotten it off. If it has come off put it on again and fasten more tightly! Please check your ram's head regularly for chafing, abrasions, etc., beneath the shield.

Premier recommends removing the ram shield during breeding season, as it may slow the breeding process. You may keep the shield on the ram during breeding if he is still behaving aggressively, and it will not interfere with breeding.

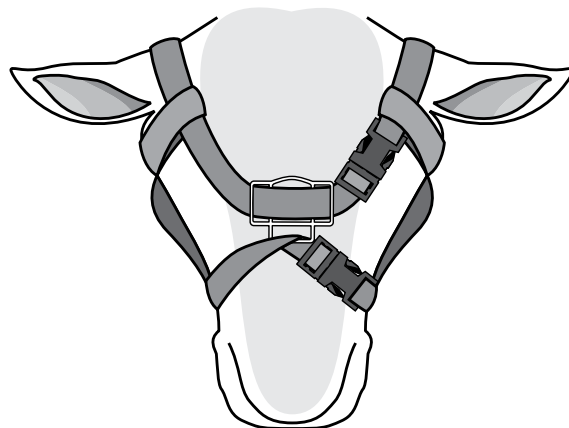
**Important:** Observe your rams to see if it is necessary to put a shield on more than just your most aggressive ram(s). If only the most aggressive ram is wearing a shield, the other rams may take advantage and attack this ram.

1. Thread top strap through loop on each side of shield, to form a space for the ram's ear to fit through.
2. Place shield (with Premier logo at bottom, facing out) against the ram's face.
3. Insert ears into spaces between straps.
4. Fasten buckles around chin and around throat, and pull straps very snug.

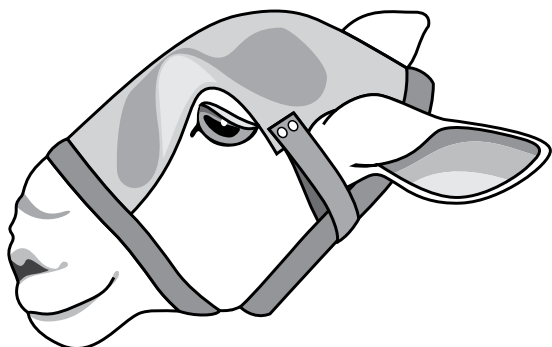
Front View



Bottom View



Left Side View



Right Side View

