

# Solar Powerpack 3.0

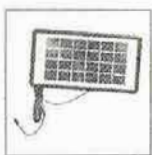
## Solar LED Bulb Lamp Kit

Solar Powerpack is a small solar generation system which integrates lighting and cell phones charging together.

It is specifically designed to provide simple lighting and power solutions to remote areas where no electrical grid exists. It can be easily adapted for using in remodeling structures such as garages, barns, sheds, gazebos, green houses and boat docks.

### Components

Please check all of the components carefully in the carton. If anything is missing, contact your local dealer at once.



Solar Panel x 1pc



Solar Powerpack x 1pc



LED Bulb Lamp x 2pcs

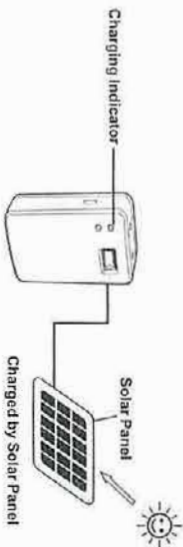


Cell PhoneCharger Kit (Optional Accessories) x 1set

### Set Up and Use

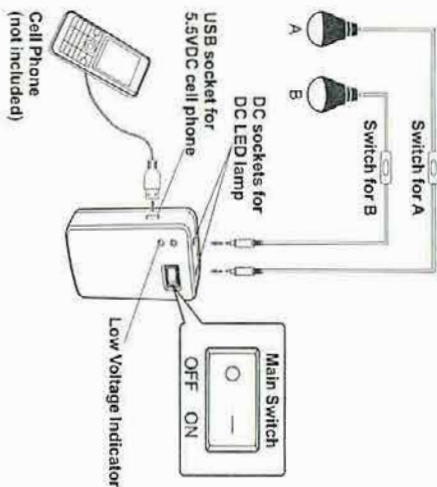
#### Step 1 - Charging

Before first use or after prolonged storage, please turn off the switches and fully charge the battery.



Charging Indicator Mode:  
Red LED on - Charging  
Green LED on - Fully Charged

#### Step 2 - Working



#### Note:

- Please place Solar Powerpack and LED Bulb Lamps in shade and avoid exposing to sunlight and let it be free from moisture.
- Please turn on the switch when use the USB function.
- Red LED on: Working.
- Red LED off: Low voltage.

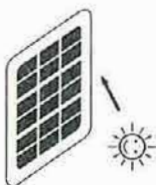
### Technical Specifications

- Solar Panel: 12V 3W polycrystalline solar panels (including 4meters cables).
  - Battery: 3.7V 4000mAh lithium battery.
  - Lamp: 0.9W 80Lm super brightness LED bulb lamp (including 4meters cables with ON/OFF switch).
  - USB Socket: 5.5V 1ADC.
  - Cell phone charger kit: (Operational) 10 types of cell phone charger adaptors for Huawei, Iphone, Samsung, Nokia etc mobiles.
- Visual LED display for working status.
- Protection against low/over voltage, over charge/discharge, reverse connection, over load, short circuit.

### Warning

- Please do not expose the Solar Powerpack under the blazing sun for a long time when the solar panel is charging it.
- Before first use or after prolonged storage, please turn off the switches and fully charge the battery.
- The Solar Powerpack should be charged at least once a month, and each time it should be fully charged at least 6 hours under direct sunlight.
- The Solar Powerpack and the lamps should always be placed in a dry and shady place.
- Please keep it away from fire or any corrosives.
- Please always keep the surface of solar panel clean and in good conditions.
- Any actions such as throw, drop, fall, knock are all prohibited.

### Charging Time

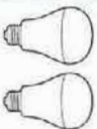


= 7-8 hrs

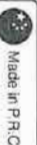
### Working Time



= 14 hrs



= 7 hrs



ISO 9001:2008



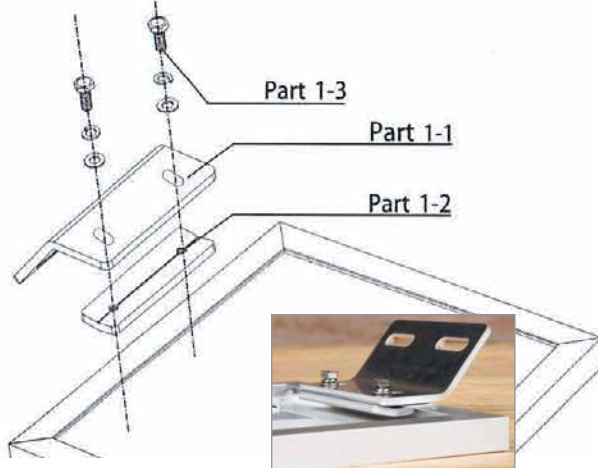
Subject to change with our notice  
Version: BSS0307E-M1807

# Universal Flat Mount Bracket Kit

**SLB-0119**  
Installation Manual

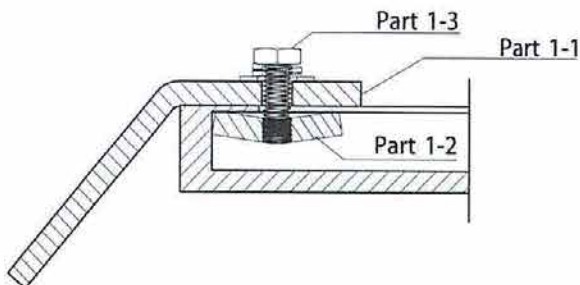
The Solarland® SLB-0119 mounting kit has been specifically design for use with the Solarland® SLP Series 3W – 5W panels. This mount is a fixed.

## Components And Parts

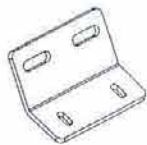


Assemble the clamp loosely with the bolts. Then slide the clamp over the lip on the back of the solar panel's frame. (The larger piece goes over, the smaller piece slides under.) Position the clamp where it works best for your application and tighten the bolts.

**Note: the holes on the frame of the solar panel will not be used.**



### Part



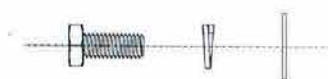
#### Part 1-1

Component	Fixed Bracket
Material	5052Al
Quantity	1



#### Part 1-2

Component	Clamp
Material	5052Al
Quantity	1



#### Part 1-3

Component	Module Bolt(M6)
Material	AISI304
Quantity	2

### Step1.

Attach the PV module to the mounting bracket using the clamp, bolts, washers and lock washers provided. We suggest you lubricate all nuts and bolts to facilitate easy removal at a later date.

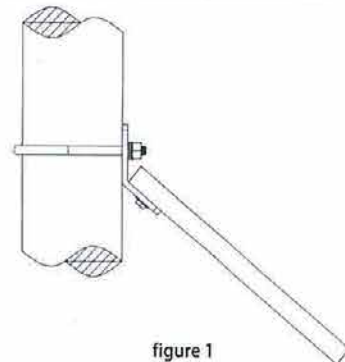


figure 1

### Step2.

For pole mounting, use U bolts or steel clamps to fix the PV module and mount assembly to the pole. See figure 1. The tilt angle of the PV is situated at 40° to the horizon. The U-Bolts and/or steel clamps are not included in the kit.

### Note:

For vertical wall mounting, drill holes on the mounting place to be installed according to size of the fixed bracket. Embed two molly bolts into the mounting surface. See figure 2.

Use washers and lock washers and nuts to secure the PV module and mount assembly to the wall surface.

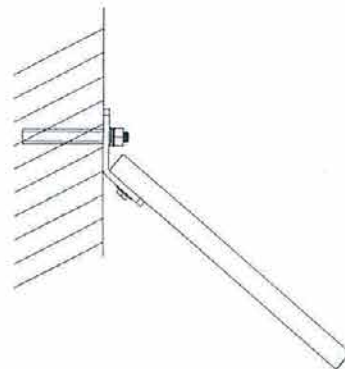


figure 2