

Fig. 1 Features

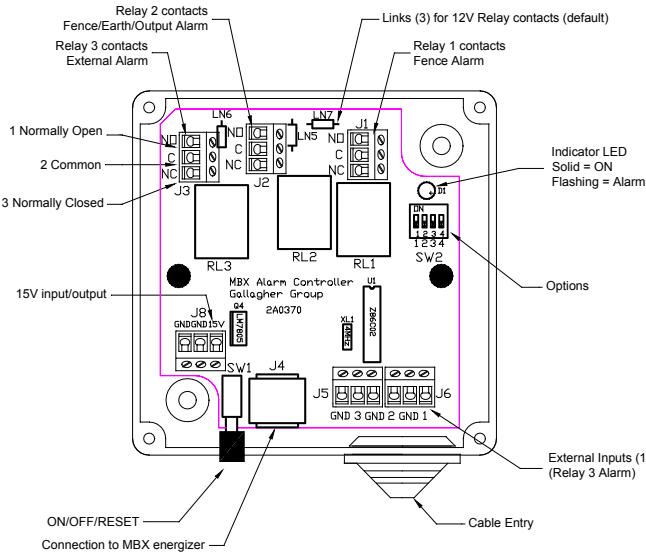
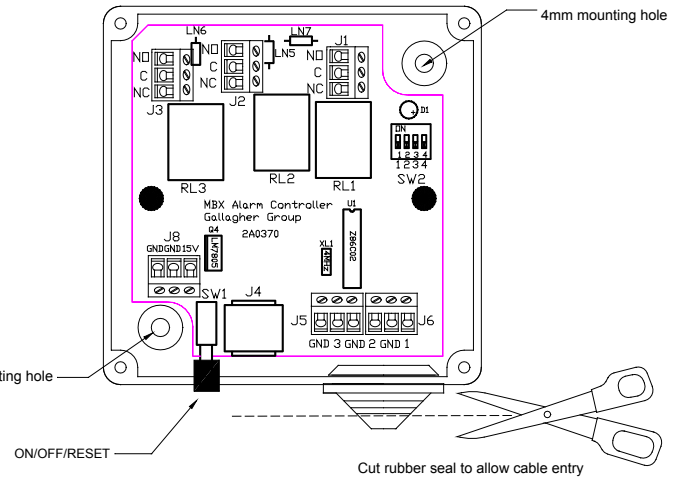
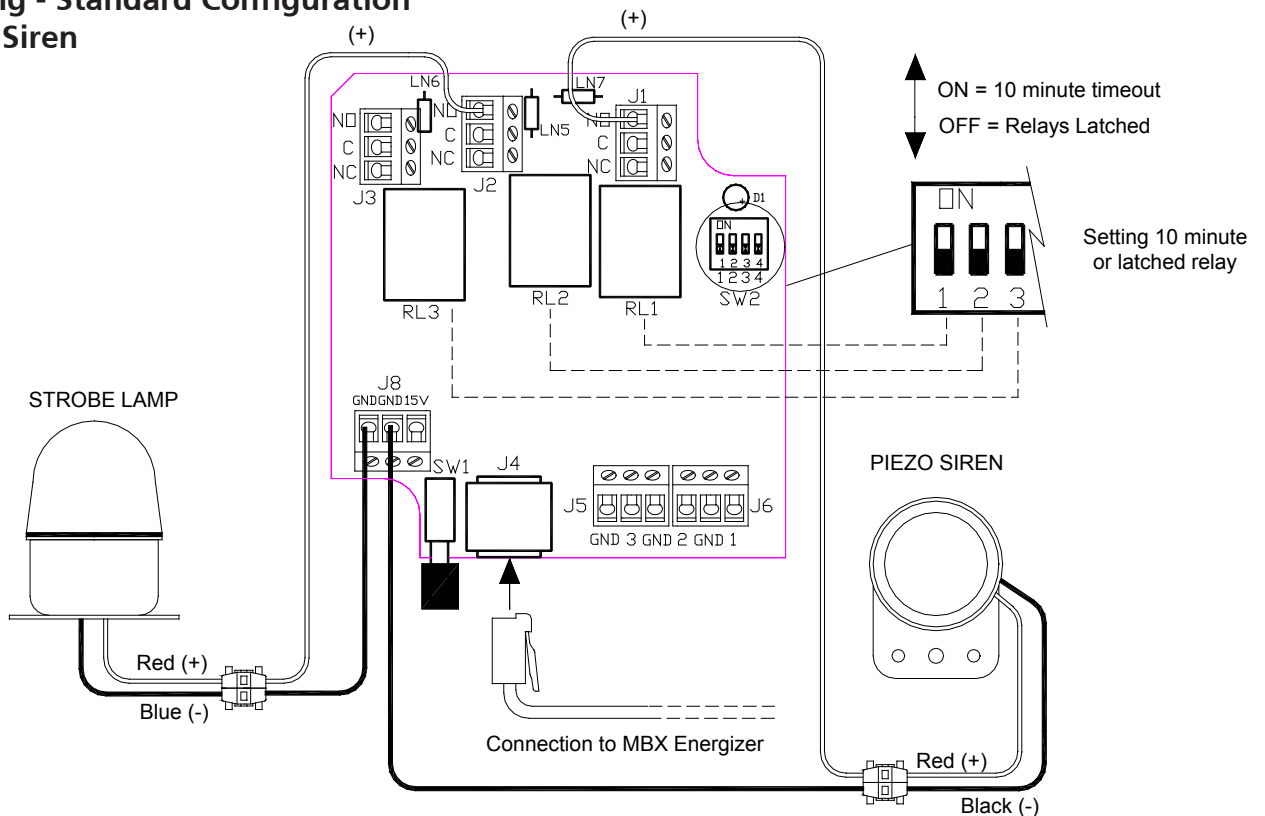


Fig. 2 Installation



**Fig. 3 Wiring - Standard Configuration
Strobe and Siren**



Specifications:

Operating Voltage :	15 VDC nominal (from MBX)
Supply Current (typical) :	Standby 20mA
	Relay 30mA/Relay
	Strobe 100mA
	120dB Siren 170mA

External DC supply	0.75A max. (protective device in MBX)
Relay Contact Ratings:	10A un-fused
Relay configuration:	Powered (default) or Dry Contacts
Alarm Timeout:	Latched or 10 minutes (fixed)
External Inputs:	Three - normally open or normally closed (selectable)

Fig. 4 Wiring - Connecting External Inputs

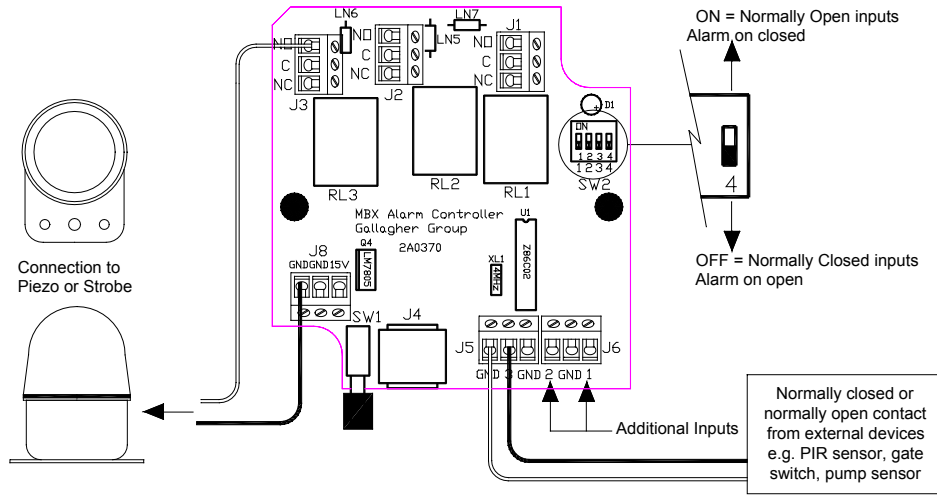


Fig. 5 Wiring - Other options

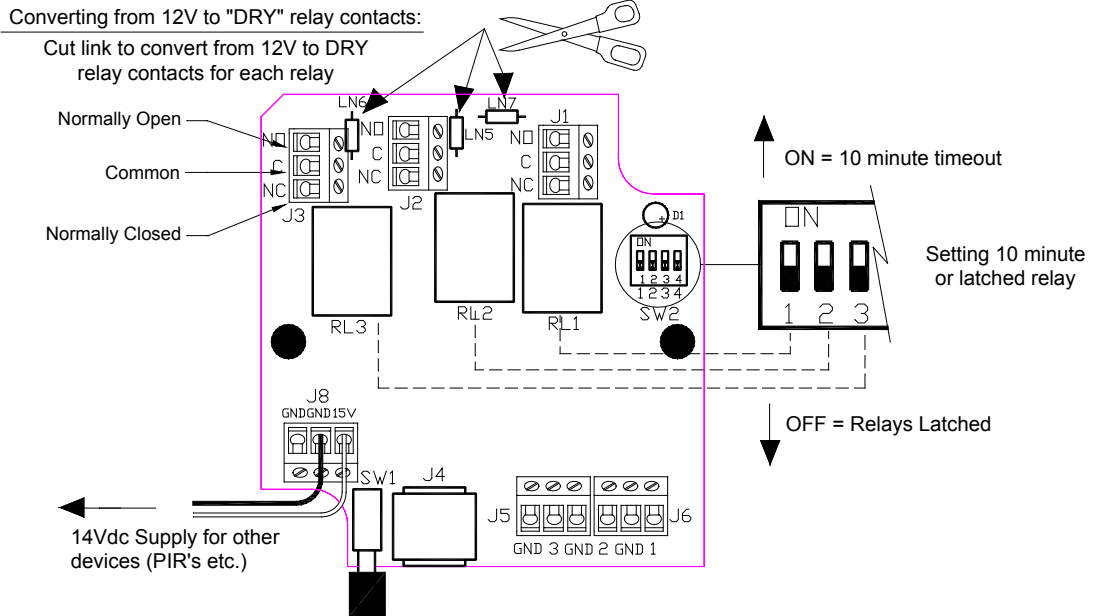


Fig. 6 Wiring - Autodialler (typical)

