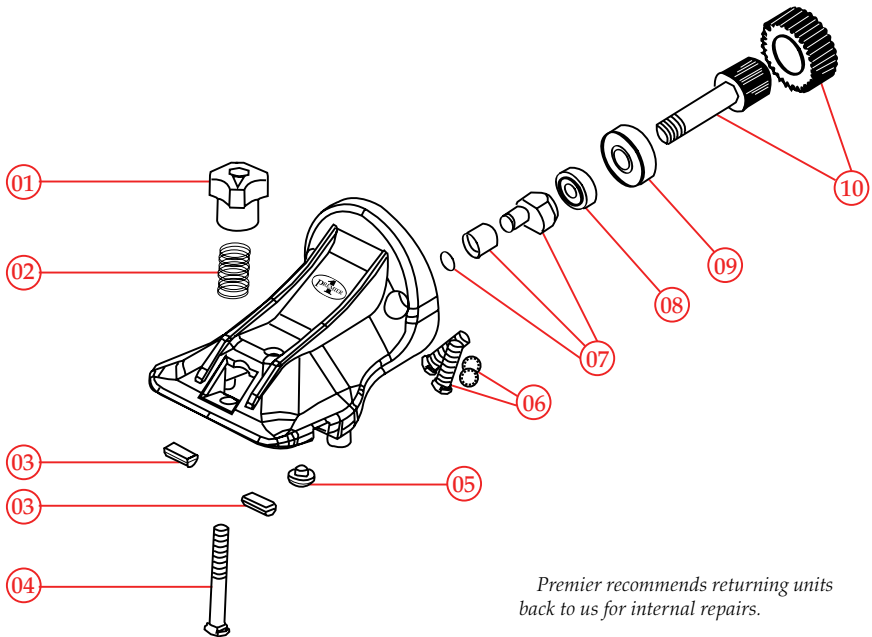


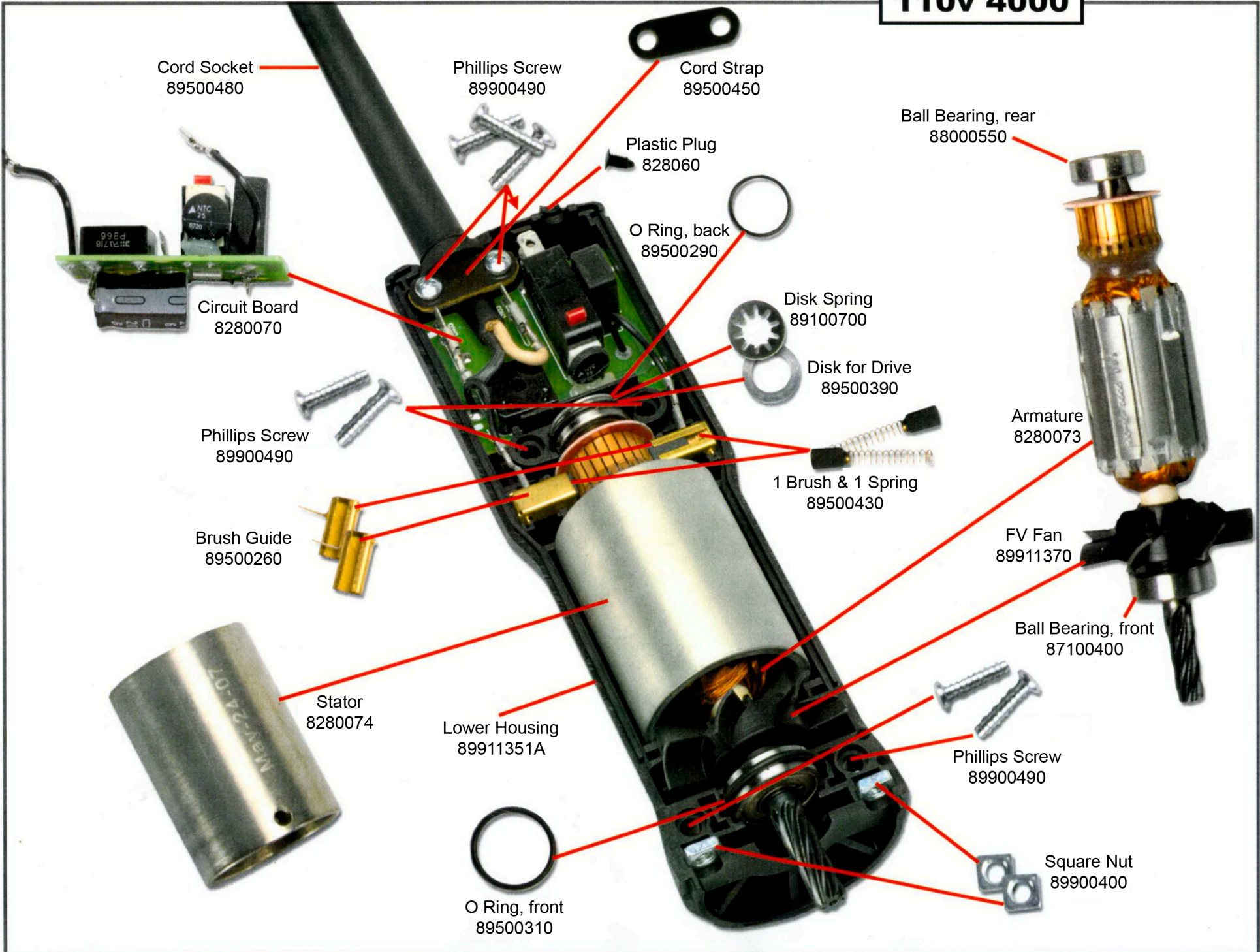
Premier 4000c Clipper Head Parts

Item No.	Part No.	Description
01	82800401	1 - Tension nut
02	82800402	1 - Tension spring
03	82800405	1 - Upper blade guide
04	82800406	1 - Tension bolt
05	82800407	1 - Blade positioner
06	89600610	2 - Head screws and 2 washers (sold as a set)
07	82800409	1 - Crank spindle cover kit (includes crank spindle, tension lock spring & excenter head)
08	82800411	1 - Small bearing
09	82800412	1 - Large bearing
10	82800414	1 - Crank spindle with fibergear



Premier recommends returning units back to us for internal repairs.

110v 4000



Cord Socket
89500480

Phillips Screw
89900490

Cord Strap
89500450

Ball Bearing, rear
88000550

Plastic Plug
828060

O Ring, back
89500290

Disk Spring
89100700

Disk for Drive
89500390

Circuit Board
8280070

Phillips Screw
89900490

1 Brush & 1 Spring
89500430

Armature
8280073

Brush Guide
89500260

FV Fan
89911370

Ball Bearing, front
87100400

Stator
8280074

Lower Housing
89911351A

Phillips Screw
89900490

Square Nut
89900400

O Ring, front
89500310