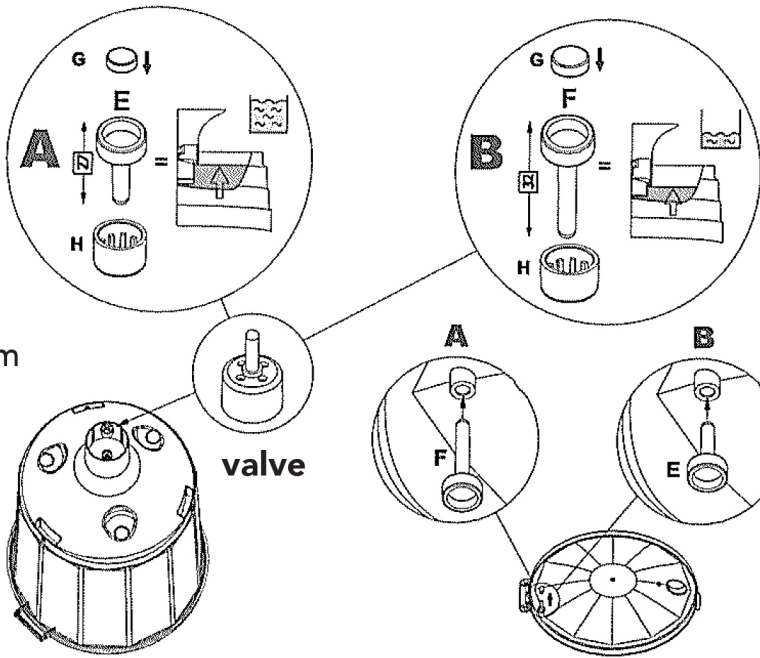


**Two valve sizes available.**

**(A)** Part E has a shorter stem for high water.

**(B)** Part F has a longer stem for low water.

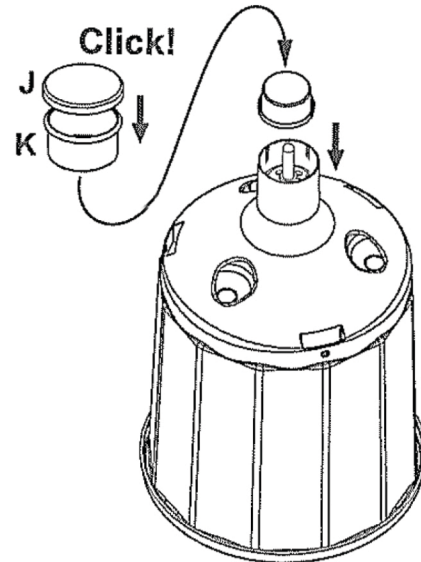
**1°**



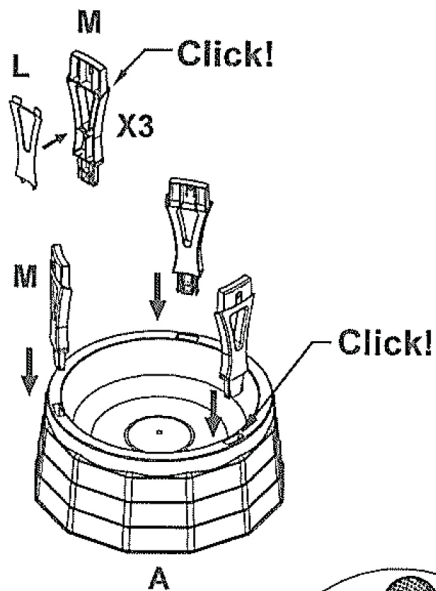
**\*Important**  
Make sure when reservoir is bottom up (as shown) insert valve with stem up.

**2°**

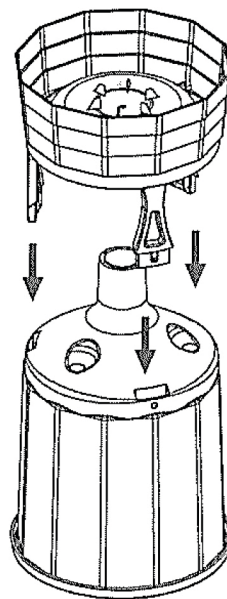
**\*Important**  
Flip over so wide end rests on the stem of valve.



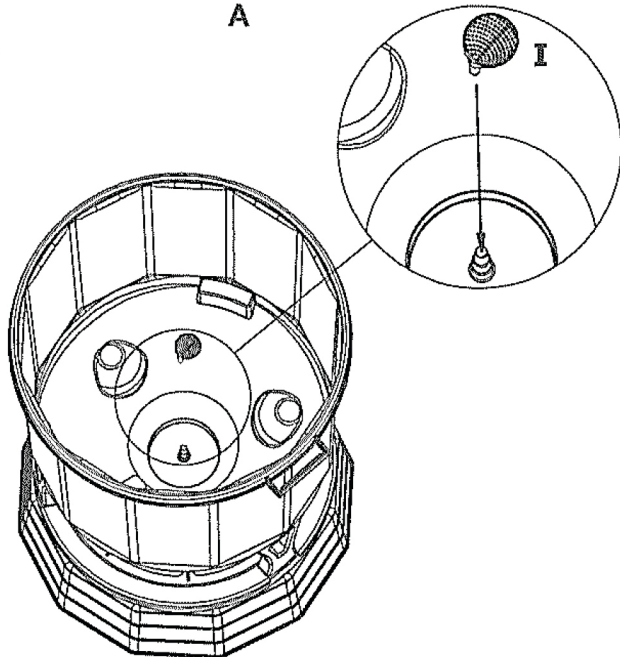
**3°**



**4°**



**5°**



**6°**

