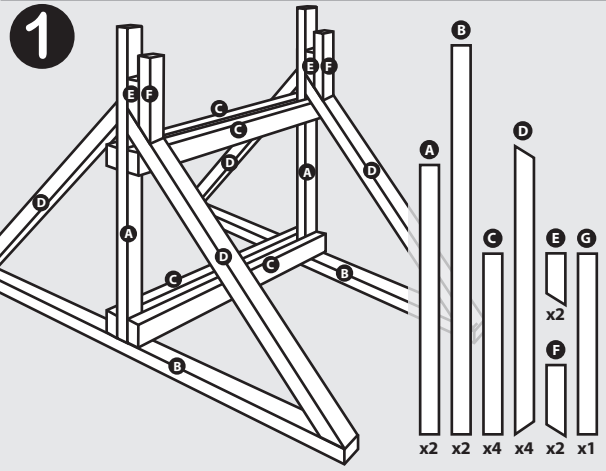


**TOOLS/MATERIAL REQUIRED:**

- 2"x3" Timber lengths [depending on no. of units]
- 1.5" and 3" pozidrive screws [depending on no. of units]
- 45 degree saw angle frame
- Pozidrive screwdriver
- Drill/bit/rawplugs [for wall fixing]
- Measure

Please note drawings are not to scale

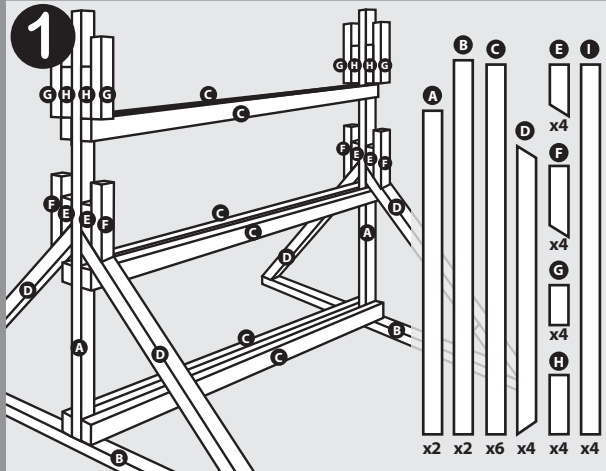
## FREESTANDING single & multi unit fastening/fixing instructions



### SINGLE FREESTANDING FIXING

Using 2"x3" timber lengths cut all pieces separately to size indicated below prior to construction.

- A 2x93cm lengths x2
- B 2x150cm lengths x2
- C 4x45cm lengths x4
- D 4x102cm lengths x4
- E 2x11cm length x2
- F 2x22cm length x4
- G 1x45cm length x1

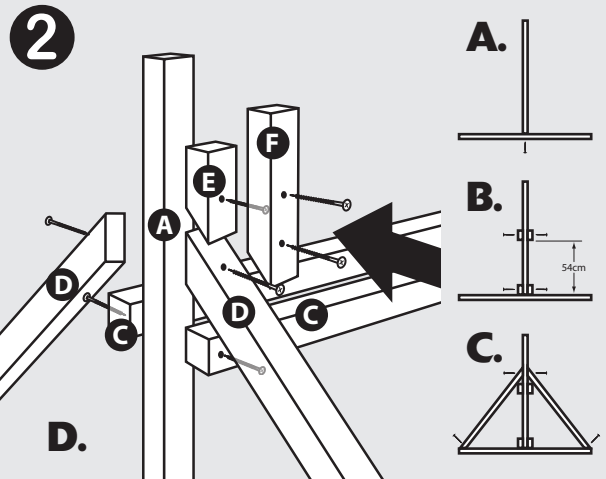


### MULTI FREESTANDING FIXING

Using 2"x3" timber lengths cut all pieces separately to size indicated below prior to construction.

- A 2x135cm lengths x2
- B 2x150cm lengths x2
- C 6x desired length\* x6
- D 4x102cm lengths x4
- E 4x11cm length x4
- F 4x22cm length x4
- G 4x12cm length x4
- H 4x20cm length x4
- I 4x cut same length as C x4

\*allow 50cm for first then allow 33cm for every chickbox up to a maximum of 10 per rail.



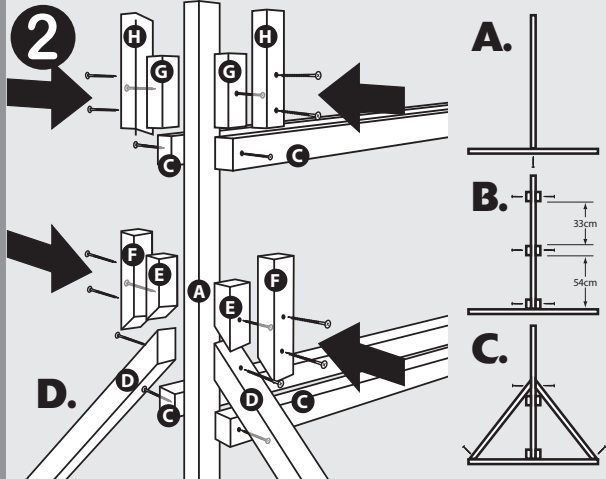
A. Fix centre legs **A** to middle of **B** as indicated using 2x3" screws.

B. Add 4 centre batons **C** to **A** as shown using 4x3" screws at dimension shown.

C. Fix 4 foot support lengths **D** to **A/B** using 8x3" screws.

D. Fix support spacer **E** to main frame **A** and then bracket **F** as main illustration using 6x3" screws.

**Your main frame is now complete.**



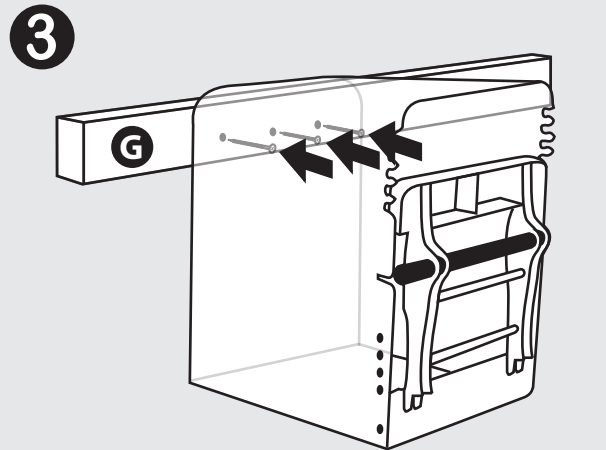
A. Fix centre legs **A** to middle of **B** as indicated using 2x3" screws.

B. Add 6 centre batons **C** to **A** as shown using 4x3" screws at dimensions shown.

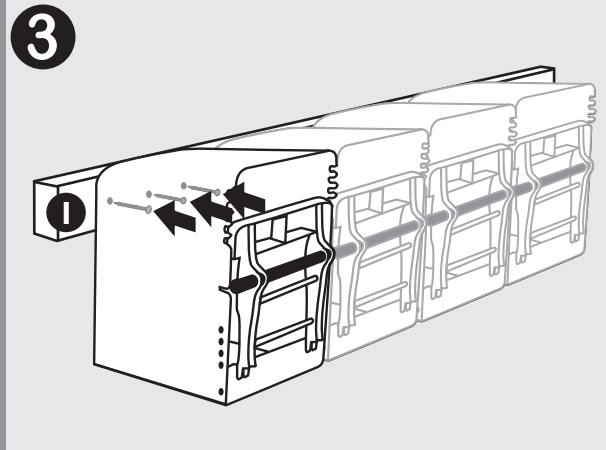
C. Fix 4 foot support lengths **D** to **A/B** using 8x3" screws.

D. Fix support spacers **E** to main frame **A** and then brackets **F** as main illustration using 6x3" screws. Repeat process using support spacers **G** and brackets **H**.

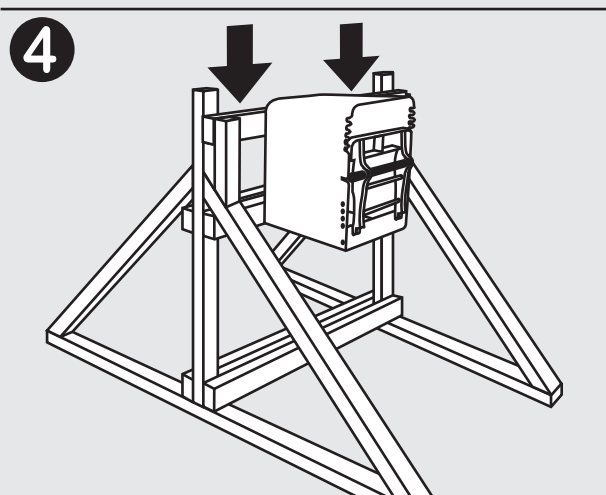
**Your main frame is now complete.**



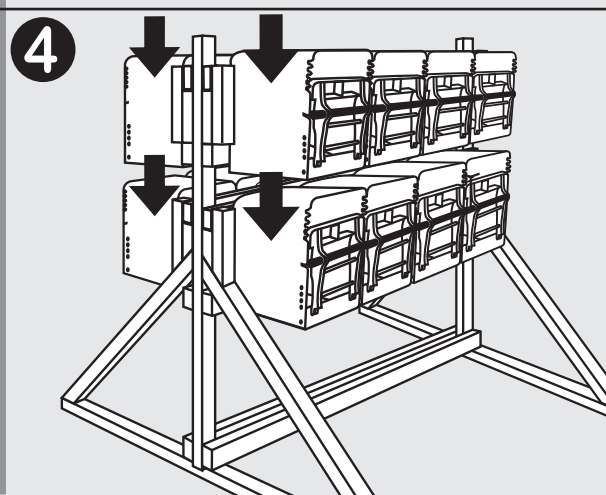
Take remaining support baton **G** and fix Chickbox centrally through predrilled holes using 3x1.5" screws.



Take remaining support batons **I** and fix Chickboxes centrally along the baton through predrilled holes using 3x1.5" screws in each Chickbox.



Drop Chickbox into position on pre-constructed frame



Drop the Chickbox rails into position on pre-constructed frame as shown in the illustration