



800-282-6631

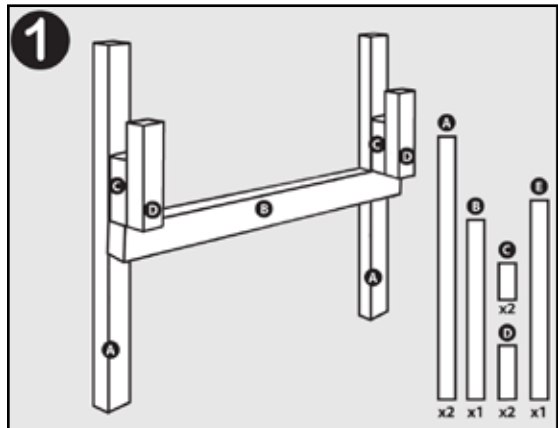
How to build units for your Chickbox™



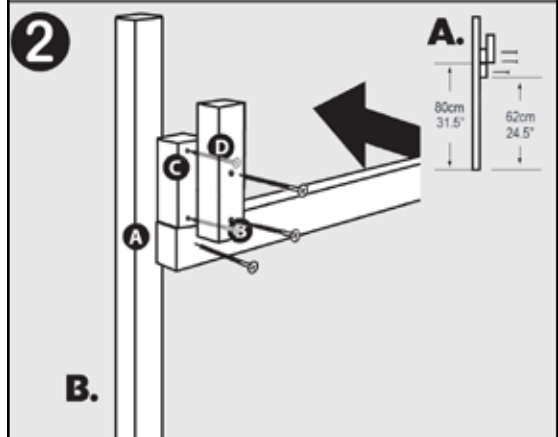
- Tools/Material Required:**
- 2 x 4s (depending on # of units)
 - 1.5" & 3" screws (depending on # of units)
 - Screwdriver and tape measure
 - Drill and bit

Note: drawings not to scale

Single Unit—Wall Mounted

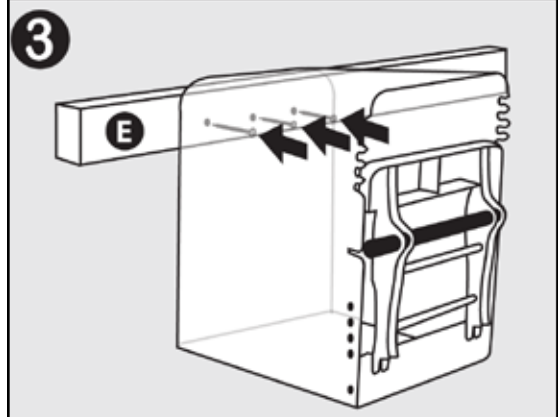


- 1**
- Using 2 x 4s, cut all pieces separately to size indicated below prior to construction.
- A. 2 - 40" lengths
 - B. 2 - 18" lengths
 - C. 4 - 4.75" lengths
 - D. 4 - 7.75" lengths
 - E. 1 - 19.75" length

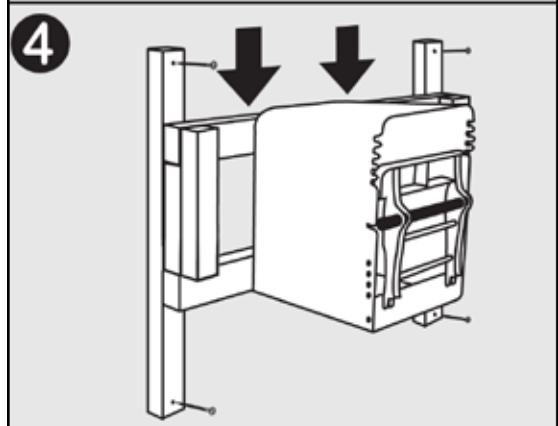


- 2**
1. Screw center board (B.) to (A.) as shown at left using 4-3" screws at dimensions shown.
 2. Screw support spacer (C.) to main frame (A.) and then bracket (D.) as shown at left using 8-3" screws.

Frame is now complete.

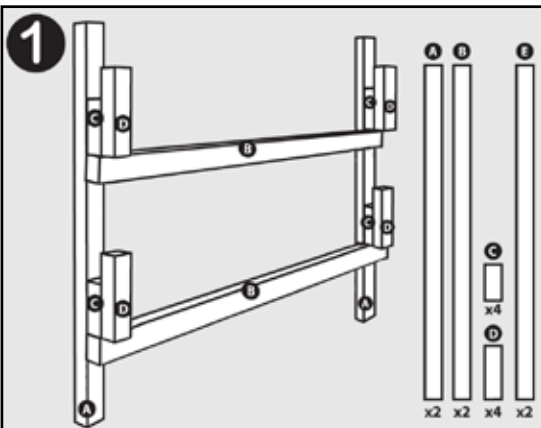


- 3**
- Take remaining support board (E.) and screw Chickbox centrally through predrilled holes using 3-1.5" screws.



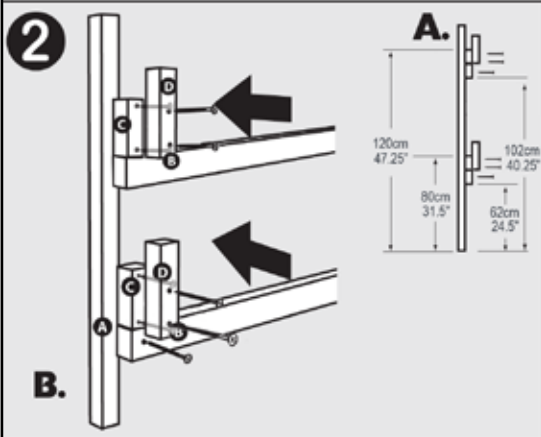
- 4**
- Screw the pre-constructed frame to the wall using appropriate wall fixings. Drop Chickbox into position on the frame.

Multi Unit—Wall Mounted



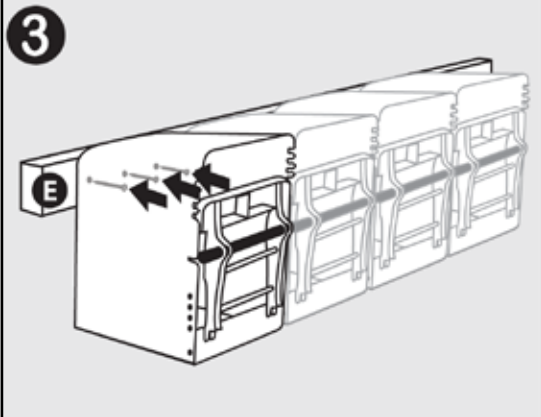
- 1**
- Using 2 x 4s, cut all pieces separately to size indicated below prior to construction.
- A. 2 - 53" lengths
 - B. 2x desired length*
 - C. 4 - 4.75" lengths
 - D. 4 - 8" lengths
 - E. 2x cut same as (B.)

*allow 19.75" for first then allow 13" for every ChickBox up to a maximum of 10 Chickboxes per rail.

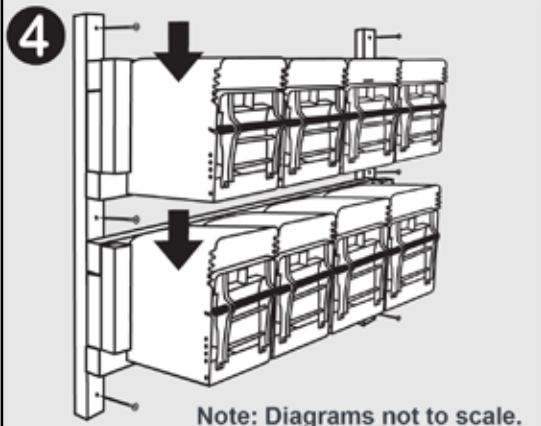


- 2**
1. Screw center boards (B.) to (A.) as shown using 4-3" screws at dimension shown.
 2. Screw support spacer (C.) to main frame (A.) and then bracket (D.) as shown using 8-3" screws.

Frame is now complete.



- 3**
- Take remaining support board (E.) and screw Chickboxes centrally along the board through predrilled holes using 3-1.5" screws in each Chickbox.



- 4**
- Screw the pre-constructed frame to the wall using appropriate wall fixings. Drop Chickbox rails into position on the frame.

Note: Diagrams not to scale.