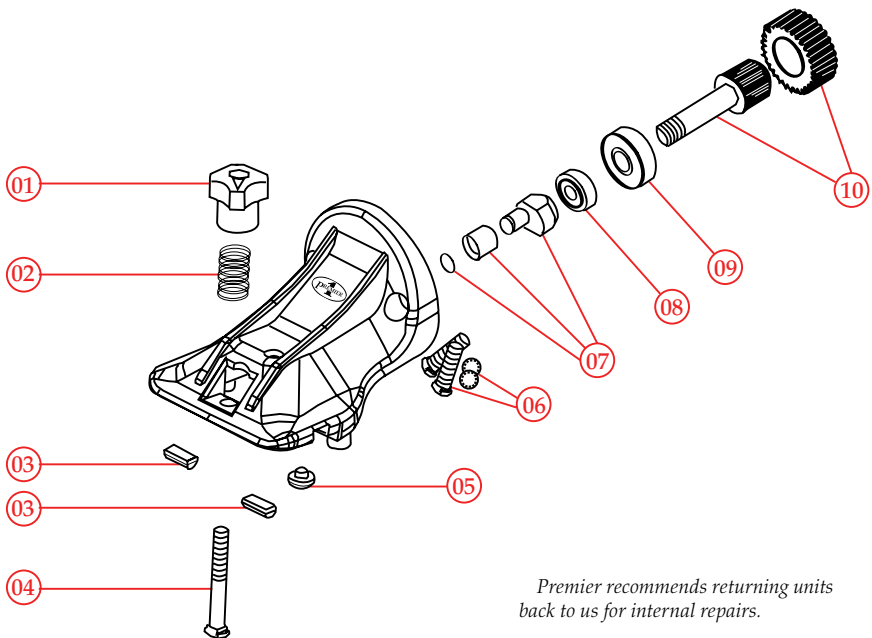


Premier 4000c Clipper Head Parts

Item No.	Part No.	Description
01	82800401	1 - Tension nut
02	82800402	1 - Tension spring
03	82800405	1 - Upper blade guide
04	82800406	1 - Tension bolt
05	82800407	1 - Blade positioner
06	89600610	2 - Head screws and 2 washers (sold as a set)
07	82800409	1 - Crank spindle cover kit (includes crank spindle, tension lock spring & excenter head)
08	82800411	1 - Small bearing
09	82800412	1 - Large bearing
10	82800414	1 - Crank spindle with fibergear



Premier recommends returning units back to us for internal repairs.