

# Premier Instructions for Emperor Feeder

#540042

*(Note: use these instructions instead of the U.K. instructions provided as lumber differs)*

## Tools required:

- 1 - "Phillips" screwdriver
- 1 - Hammer or mallet

1. With lid removed, turn the main body upside down and place the feed dispensing nozzle in the center of the base of the main body and align the screw holes.

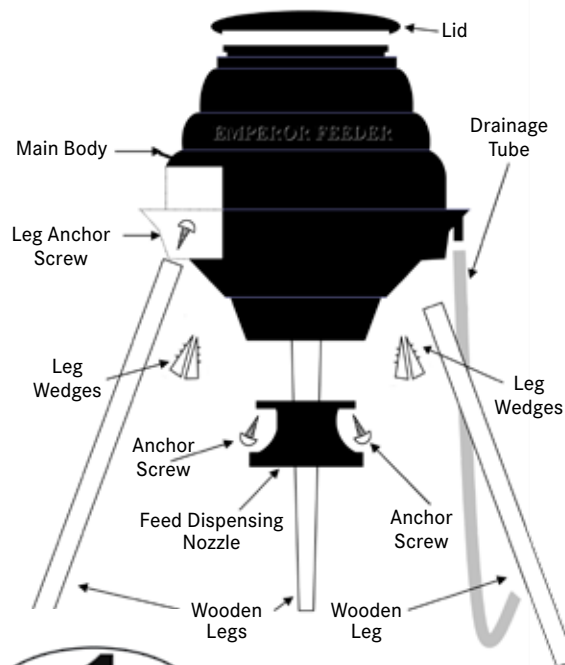
Screw the first screw to a halfway point and check the location of the other screw holes. Once aligned, screw in the remaining three screws and tighten down all around.

2. Once the feed dispensing nozzle is firmly fixed, put wooden leg into leg hole and secure using two wedges. Place flat sides of wedges together and insert along the leg into leg hole. A hammer or mallet may be used to drive the wedge into position. Once in position, fix in place with a wedge nail. Repeat with other two legs.
3. For additional securing of the legs, leg anchors are provided. These can be screwed from inside the body through the plastic and into each leg.

4. When the legs are firmly secured, turn the feeder right side up, push the drainage tube into position. Fill with feed, replace the lid and the unit is ready for use.
5. A suitable container may be used for the collection and distribution of rainwater.

## **IMPORTANT**

1. When setting the feeder, tilt it slightly towards the drainage pipe to allow proper water collection and/or management. If you do not intend to collect rainwater, then simply ensure the end of the drainage tube is positioned away from the feed dispensing nozzle and feeding area beneath.
2. Although inherently stable, for additional stability, it is strongly recommended that all three legs be tied to a stake that is driven into the ground beside each leg. This can be done by drilling a hole through the legs and securing to the stakes.



800-282-6631

[www.premier1supplies.com](http://www.premier1supplies.com)

© Copyright 2016, Premier1Supplies. All rights reserved.