

Betriebsanleitung

Instruction manual

Mode d'emploi

Istruzioni d'uso

Manual de Instrucciones

Bedieningshandleiding

Instruktionsbog

Instruktionsbok

Instruksjonsbok

Käyttöohjekirja

Manual de instruções

Οδηγίες χρήσης

Contents

1 Proper Use

- 1.1 Overall View / Controls
- 1.2 Intended Use
- 1.3 Technical Data
- 1.4 Equipment Items

2 Safety Regulations

- 2.1 Introduction
- 2.2 Symbols and Warning Signs
- 2.3 Proper Use
- 2.4 Safety Principles
 - 2.4.1 Power Connections
 - 2.4.2 Servicing and Checking Requirement
 - 2.4.3 Noise Emission / Personal Protective Equipment
 - 2.4.4 Other Dangers
- 2.5 Essential Operator Skills

3 Putting into Operation

- 3.1 Controls and Operating Notes
- 3.2 Setting the Clipper Blades with the Adjusting Screw
- 3.3 Lubrication
- 3.4 Switching On / Off
- 3.5 Malfunctions

4 Servicing

- 4.1 Cleaning
- 4.2 Fitting the Clipper Blades
- 4.3 Resharpener the Clipper Blades
- 4.4 Cleaning the Air Filter
- 4.5 Storing the Clipping Machine

5 Repairs

- 5.1 Introduction
- 5.2 Malfunction Lists

6 Environmental Protection and Disposal

- 6.1 Introduction
- 6.2 Material Categories

7 Contact Addresses

Illustrations: at the end of the instructions

1 Proper Use

1.1 Overall View / Controls

Component Names



Illustr. 1

Pos	Description	Total	Pos	Description	Total
1	Clipper head case USV/HANDY/CORDLESS		30	Socket head cap screw M3 x 45	2x
2	Driving carrier USV/HANDY/CORDLESS		31	Ribbed washer M3	2x
3	Crank spindle sleeve USV/HANDY/CORDLESS		32	Spacer sleeve HANDY	2x
4	Crankshaft USV/HANDY/CORDLESS		33	Airflow guide HANDY	1x
5	Crank drive block		34	Stator HANDY 240V	1x
6	Cogwheel Z31 HANDY		34	Stator HANDY 120V	1x
7	Tension screw USV/HANDY/CORDLESS		35	Motor housing HANDY Heiniger grey	1x
8	Distance screw USV/HANDY/ CORDLESS/ DELTA1/PROGRESS		36	Carbon brushes with spring + protection cap VS84/HANDY	2x
9	Pressure plate		37	Brush cap VS84/HANDY	2x
10	Centering bush		38	Socket head cap screw M3.5 x 8	3x
11	Pressure spring		39	Cable VS84/HANDY with EURO plug	1x
12	Laminated spring		39	Cable VS84/HANDY with AUS plug	1x
13	PH-screw M5 x 16		39	Cable VS84/HANDY with USA plug	1x
14	Comb screw cattle/horse		40	Anti-kink sleeve VS84/HANDY EURO/AUS	1x
15	PH-screw M4 x 10		40	Anti-kink sleeve VS84/HANDY/12V USA	1x
16	Circlip for shaft Ø6		41	Cord hanger HANDY/12V	1x
17	Socket head cap screw partially threaded M3 x 6		42	Switch housing, upper HANDY black	1x
18	Clipper head HANDY with blades		43	Retaining screw M3.5	1x
19	Socket head cap screw M3.5 x 6		44	Main switch VS84/HANDY/12V	1x
20	Gearbox housing HANDY black		45	Capacitor 0.15µF VS84/HANDY 240V	1x
21	Seal VS84/HANDY/12V		45	Capacitor 0.15µF VS84/HANDY 120V	1x
22	Centering flange VS84/HANDY		46	Cable grip VS84/HANDY AUS	1x
23	Spring washer 608		46	Cable grip VS84/HANDY/12V EURO/USA	1x
24	Ball bearing 608-2Z		47	Clamp VS84/HANDY/12V	1x
25	Retaining ring for bores Ø22		48	Socket head cap screw M3 x 25	1x
26	Fan wheel HANDY		49	Dust cover VS84/HANDY/12V	1x
27	Rotor HANDY 240V		50	Switch housing, lower VS84/HANDY/12V black	1x
27	Rotor HANDY 120V		51	Socket head cap screw M3 x 6	4x
28	Spring washer 626		52	Filter cover complete VS84/HANDY/12V black	1x
29	Ball bearing 626-2Z			Converter EURO/GB plug	1x

1.2 Intended Use

The clipping machine is exclusively intended for use on cattle and horses.

Other uses, in particular using the machine on people, are expressly prohibited.



Note

Danger of blockage! The machine must not be operated unless the blades are fitted.

1.3 Technical Data

Model Designation:	HC (Handy Clipper)
Mains Voltage:	} see rating plate
Motor Output:	
RPM:	
Fuse Protection Needed:	
Dimensions (W/H/L):	approx. 79 mm x 72 mm x 290 mm
Weight, excluding cable:	1240 g
Max. Ambient Temperature:	0°C - 40°C
Max. Air Humidity:	10% - 90% (relative)
Noise Emission (L_{pAm}):	75 dB(A) (DIN-45635-1/04.84 + BG-PAS 26)
Acceleration (a_{vhw}):	4,6 m/sec ² (EN-28662-1/01.93)

1.4 Equipment Items

1 Clipping Machine with Clipper Head, 1 Pair of Clipping Blades, 1 Special Screwdriver, 1 Bottle of Special Lubricating Oil, 1 Cleaning Brush, 1 Set of Operating Instructions, 1 Transport and Storage Case

Options:

- Various clipper blades

2 Safety Regulations

2.1 Introduction

This section describes the mandatory safety regulations which must be observed when using the clipping machine.

All persons undertaking work on or with the machine have an obligation to read the operating instructions.

The operating instructions must be kept safely in the storage case and accessible at all times.

2.2 Symbols and Warning Signs

Various symbols are used in the operating instructions. They refer to potential dangers or point to technical information, the non-observance of which will lead to personal injury, damage to objects or inefficient operation.

Danger Symbols



Warning

indicates a potentially dangerous situation. If preventive action is not taken, death or very serious injury could result.



Caution

indicates a potentially dangerous situation. If preventive action is not taken, the consequences could be slight or minor injuries.

Information Symbols



Note

Note, non-compliance with which can lead to operating malfunctions or damage.



Pictorial Note

This symbol, together with its number, refers to the relevant illustration at the end of the instructions.

2.3 Proper Use

The use to which the machine is intended for is described in Section 1.2.



The following applies to safe operation:

The details at Section 1.3, "Technical Data", count as mandatory operating limits and ratings.

Clipping other animals, in particular dangerous animals such as beasts of prey and the like, counts as mis-use. This could lead to circumstances dangerous to life and limb.

The appliance is not intended for use by young children or infirm persons. If used with a cord extension device or portable outlet device, ensure such devices are positioned so as not to be subjected to splashing or ingress of moisture.

2.4 Safety Principles

2.4.1 Power Connections



Only insert the plug into undamaged sockets. Defective installations can cause an electrical shock or a short circuit. Outside sockets must be equipped with a fault current breaker (FI). Observe the relevant national regulations.

Cleaning and servicing should only be done with the mains plug pulled out.

Never let a machine with its cable plugged in lie around unsupervised. Keep children away from the working area and store the machine out of their reach.

2.4.2 Servicing and Checking Requirement

Only operate the clipping machine if it is undamaged and in a proper condition. Any defects to the housing or the electrical cable should be rectified by a repair or service agent.

2.4.3 Noise Emission / Personal Protective Equipment

Wear Ear Protectors!



Typical sound emissions when working are 80.1 dB(A). We recommend that ear protectors should always be worn when working.



Wear Protective Goggles and Gloves!

For your personal protection we recommend that you wear protective goggles and gloves.



Personal protective equipment is to be provided by the operator.

2.4.4 Other Dangers

Should evidence of dangers or potential dangers, not directly related to the clipping of animals, occur during operation, we would ask you to inform us. This also applies to dangerous technical deficiencies.

2.5 Essential Operator Skills

Operating the machine safely makes only small demands of the operator. However, it is essential that they are observed and carried out.

- The operator must be experienced in handling the animals to be clipped.
- The operator must have read and understood the instructions or have been instructed by an expert in the machine's use and have had the potential dangers explained.

Children are not permitted to operate the equipment.

3 Putting into operation

3.1 Controls and Operating Notes



There are dangers inherent in the improper use of electrical equipment, especially stockbreeding equipment! Therefore, before using the machine, you should observe the following accident-prevention measures:

- The mains voltage must be the same as that shown on the nameplate. The machine may only be connected to an AC supply.
- Avoid all contact with the moving clipper blades.
- Even when the machine is switched off, do not handle the area of the clipper blades as long as the machine is connected to a power source. Always disconnect the power supply first when working on the clipper blades/clipper head.
- Avoid touching any machine which is in contact with any liquids. Never clip wet animals. Any liquid which has got into the machine will lower the electrical insulation. There is then the danger of an electric shock or short circuit. Only clean the machine when dry using a brush or the cleaning brush provided.
- An electric cable lying loose on the ground for any distance can snag and become a source of danger. Before starting to clip, lay the cable out carefully and safely. Avoid any kinks in the power cable and prevent it becoming entangled. Animals must not stand on or walk across the power cable or get caught in it. Never wrap the power cable around the machine and keep it away from hot surfaces and objects. This may result in breaks and damage to the insulation. The cable should be regularly checked for damage.
- Switch the machine to OFF (Position 0: Illustration 2) before pulling out the plug.



Illustr. 2

- Wear suitable work clothes. Do not wear any loose fitting clothing or items of jewellery which could get caught up in moving machine parts. We would recommend in the strongest terms that protective goggles and ear protectors are worn.
- Never insert any object into any of the machine's apertures.
- Noise from the machine can worry animals. Considerable injury can be caused as a result of being kicked by an animal or being crushed by its body weight. Tether the animal securely, approach it from in front and switch the machine on within the animals' range of vision.
- Animals should only be clipped if unauthorised persons have been excluded from the clipping area.
- Only clip in well-ventilated spaces (dust) and never near objects or gases likely to explode.
- Danger of blockage! The machine must not be operated unless the blades are fitted.
- Generally, never plunge the clipper and clipperhead into liquids such as water, soapy water, diesel, petrol, etc. This may cause serious injury to mechanics and motor.

These safety notes must be complied with in all cases. It is recommended that a fault current safety plug always be used when working with electrical equipment.



3.2 Setting the Clipper Blades with the Adjusting Screw

Before putting into operation, make adjustments as follows:

Before clipping:

With the machine switched off, tighten the adjusting screw until the first resistance is noticeable. Then tighten the adjusting screw a further 1/4 turn.



Illustr. 3

During clipping:

The patent clipping system guarantees long-term adjustment. When the blades cease clipping adequately the adjusting screw should be tightened a further 1/4 turn (as in Illustration 3). If this adjustment does not produce the desired result, the clipper blades should be resharpened.

The clipping system works with much less pressure having to be applied than with traditional animal clipping machines. Care should be taken, therefore, to ensure that the blade tension is not set too high. Slightly adjust the blade tension from time to time during clipping.



Hair may collect between the clipper blades if they are insufficiently tensioned at the start of clipping. This will have an adverse effect on further clipping progress or make it quite impossible. If this happens, the clipper blades must be disassembled, cleaned, oiled and re-fitted as described at 4.2.

3.3 Lubrication

Before and During Clipping



Illustr. 4+8

A thin layer of oil on the upper and lower blades (Illustration 4, Items 1 + 4) is essential for good clipping results and so as to increase the life of the machine and its clipper blades. All other moving parts in the clipper head must also be well-oiled. Place a few drops of oil on the clipper blades and pour some into the lubricating holes provided on the clipper head (Illustration 4, Items 2 + 3).

Only use our special oil or a paraffin oil meeting the ISO VG 15 specification. This oil is non-toxic and produces no irritation on contact with the skin or the mucous membranes. This paraffin oil degrades to some 20% after 21 days (CEC-L-33-T-82).



Poor lubrication is the most frequent cause of unsatisfactory clipping results. Inadequately oiled clipper blades will overheat, leading to reduced blade life.

The clipper blades and clipper head must be adequately lubricated during clipping (at least every 15 minutes) so that they do not run dry.

3.4 Switching On / Off



Illustr. 2

There are two positions on the slide switch (Illustration 2 shows the 0 Position).

Position **I**: Machine switched on

Position **0**: Machine switched off



Always use the slide switch (Illustration 2) when switching the machine on and off. Check the switch position before plugging in the cable.

3.5 Malfunctions

See the list of malfunctions in Section 5, "Repairs", for the rectification of malfunctions.

4 Servicing



Before starting any servicing work, disconnect the power supply; pull the plug out.

Even with the machine switched off, do not handle the area round the clipper blades as long as the machine is still connected to a power source. Whenever working on the clipper blades/clipper head, always first disconnect the power supply.

4.1 Cleaning

Cleaning the Clipper Head and Clipper Blades

After clipping, remove all oil from the machine by rubbing it down with a dry cloth and carefully clean the clipper head and clipper blades with a dry brush. Then oil the parts to prevent rusting. Even the smallest rust spots on the blades can adversely affect clipping or make it completely impossible.



Illustr. 5

4.2 Fitting the Clipper Blade

A pair of clipper blades consists of a lower blade (Illustration 5, Item 2) and an upper blade (Illustration 5, Item 1). When fitting the blades care should be taken to ensure that the correct surfaces come to rest against each other. The blades are fitted as follows:



Illustr. 6+7

Loosen the pressure adjusting screw (Illustration 6) and place the machine on a hard surface so that the blade fixing screws lie uppermost.

Loosen the two blade fixing screws (Illustration 7) and remove the two old blades.

Ensure that the new clipper blades are clean. Particular care should be taken to ensure that the ground surfaces are free of dirt; if not, even newly ground clipper blades will not clip satisfactorily.



Illustr.
8, 9, 10

Place the new upper blade in the guide points of the driving carrier; then place a few drops of oil on the ground surfaces (Illustration 8). Now push the new lower blade between the loosened screws (Illustration 9).

What is now important is that you adjust the blades against each other in such a way that the ground surface of the lower blade projects approx. 1.5 - 2.0 mm beyond the tips of the upper blade (Illustration 10).

Once you have adjusted the clipper blades, set the position of the lower blade and tighten up the blade fixing screws.

4.3 Resharpener the Clipper Blades

Only work with sharp clipper blades. Replace blunt blades or those with missing teeth. Proper resharpener can only be done with a special machine and by a trained technician contactable through your service centre.

4.4 Cleaning the Air Filter



Illustr. 11

The air filter element is found on the underside of the motor section of the machine. The air filter element can be removed from the machine for cleaning. Regularly cleaning the element with a dry brush is essential. When cleaning the air filter, take care that no foreign bodies get into the machine.

The machine must never be operated without the air filter element!

4.5 Storing the Clipping Machine



Only store the machine in a dry place and in the case supplied. Do not switch on the machine if you suspect any liquid has got into it. There is then a risk of an electric shock or short circuit. Hand the clipping machine into a service centre.



Illustr. 12

Make it a habit to store the machine between use, store it well-cleaned, oiled and with tension slackened off, in its storage case, in a clean, dry place, out of the reach of children.

5 Repairs

This product has been developed and assembled using the best individual components available. It is designed to give longevity and high performance. If spare parts are used during the life of this product, please ensure that they are genuine Heiniger parts. Failure to use genuine Heiniger spares may reduce the performance of this precision engineered product and will void any warranty claim.

5.1 Introduction

Actions to be taken to rectify malfunctions are indicated in the "Rectification" column of the malfunction lists. Those rectification notes printed on a dark background may only be carried out by an authorised service centre.

Details of authorised service centres are to be found at the end in the "Contact Addresses" section.



5.2 Malfunction Lists

Contact an authorised service centre in the event of malfunctions not contained in these instructions.

Animal Clipper Head

MALFUNCTION	CAUSE	RECTIFICATION
Upper blades move too little	Crank drive block lost (Illustration 1, Item 4)	Replace crank drive block
	Laminated springs completely broken	Replace laminated springs on both sides
	Crank drive block and/or crank spindle are worn out (inadequate lubrication) (Illustration 1, Item 4)	Replace crank drive block Have crank spindle replaced
Upper blade does not move	Faulty cogwheel (Illustration 1, Item 12)	Replace cogwheel
Pressure adjustment screw jams	Thread is fouled or rusty (Illustration 1, Item 8)	Clean and oil thread
	Pressure spring has jammed	Have pressure spring replaced
There is play in the laminated springs in the head anchorage	Fixing screws loose	Tighten fixing screws
Driving carrier has too much play between the laminated springs	Laminated springs and/or fixing screws are worn out	Have laminated springs and/or fixing screws replaced
Driving carrier can only be moved up and down with difficulty	Centring bush lost	Have new centring bush fitted
Cuts badly or not at all	Clipper blades are blunt	Have upper and lower blades resharpened by service centre
	Clipper blades have not been correctly ground	
	Clipper blades are not oiled	Oil clipper blades every 15 minutes (Illustration 4, Items 1+2+4)
	Clipping tension too low	Increase pressure by tightening the pressure regulating screw (Illustration 3)
	Laminated springs are broken	Have laminated springs replaced
	The animals' hair is wet	Only clip when dry
	Hairs jammed between upper and lower blades (Illustration 5, Items 1+2)	Disassemble blades, clean well and oil; then refit and increase pressure
	Too much play in clipper head	Have clipper head inspected
	Spacing between upper and lower clipper blades incorrectly adjusted	Adjust spacing correctly (Illustration 10)

Motor Section

MALFUNCTION	CAUSE	RECTIFICATION
Motor does not run	No power	Check lead and fuse
	Faulty cable	Have it checked and changed by service centre
	Faulty switch or motor	Have it repaired by service centre
Motor runs very slowly	Carbon brushes worn down	Have carbon brushes replaced by service centre
	Rotor or stator are defective	Have rotor and/or stator replaced
Motor section gets warm	Air filter is blocked; air can no longer circulate (Illustration 1, Item 20)	Remove air filter and clean with brush or replace filter
	Clipping tension too high	Do not tighten pressure regulating screw so much (Illustration 6). If the blades still do not cut, they should be resharpened or replaced
	Faulty bearings (ingress of cleaning fluid)	Have bearings replaced
Motor vibrates	Rotor runs untrue (caused by sharp knock)	Have rotor replaced
	Bearings are worn out	Have bearings replaced

6 Environmental Protection and Disposal

6.1 Introduction

The owner has a duty to dispose of the clipper blades as well as of the clipping machine properly at the end of its service life. Please observe your relevant national regulations.

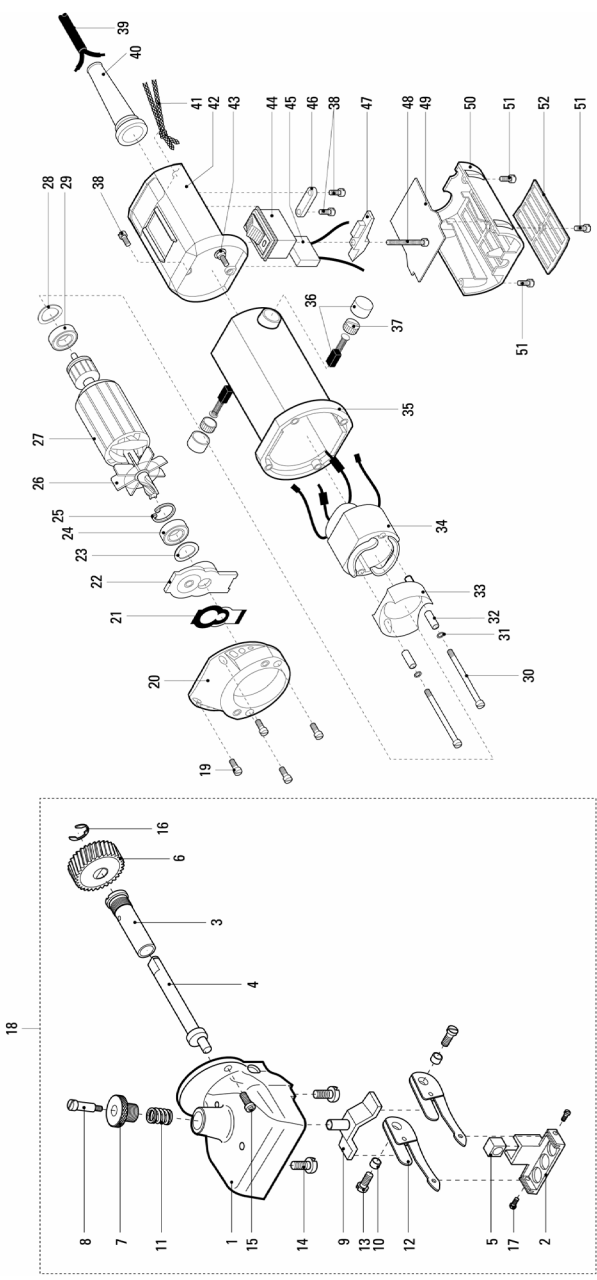
6.2 Material Categories

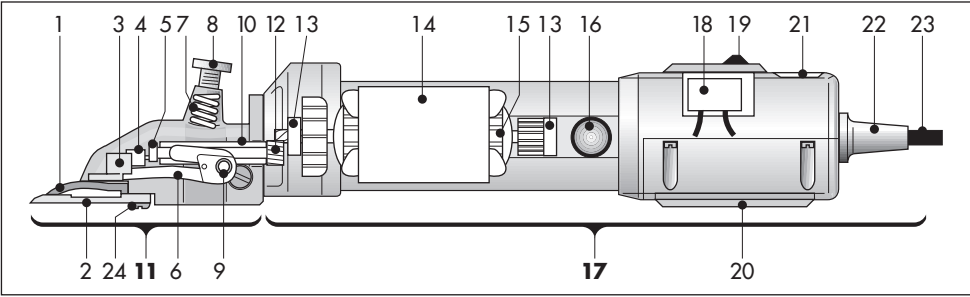
Please hand the machine to a service centre or to a specialist electrical dealer in your vicinity for disassembly.

Material	contained in items from Illustration 1a
Rubber	22 / 23
Polyamide	17 / 20
Iron/Steel	1 / 2 / 3 / 4 / 5 / 6 / 7 / 8 / 9 / 10 / 12 / 13 / 14 / 15 / 20
Copper	14 / 15 / 23
Brass	17 / 19
Aluminium	11
Other materials	12 / 13 / 18 / 19

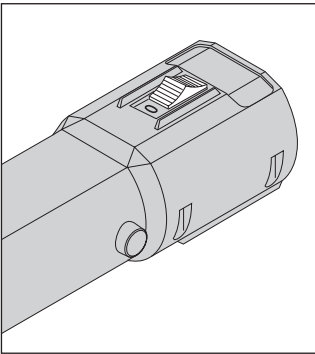
7 Contact Addresses

Your purchasing point or the company shown on your guarantee certificate are authorised service centres or refer to the nearest service centre in your area.

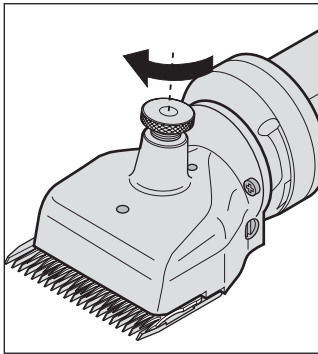




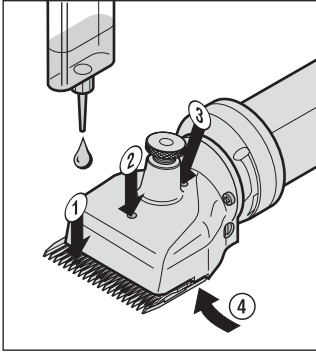
1a



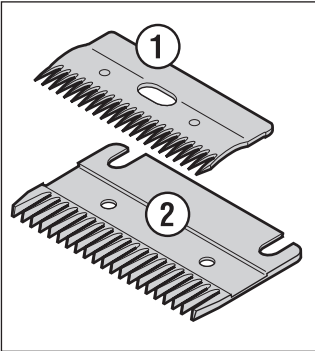
2



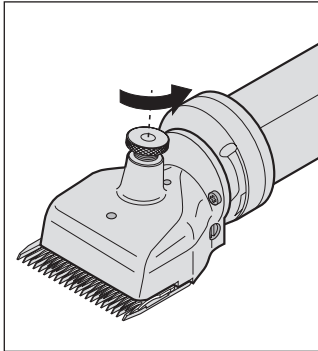
3



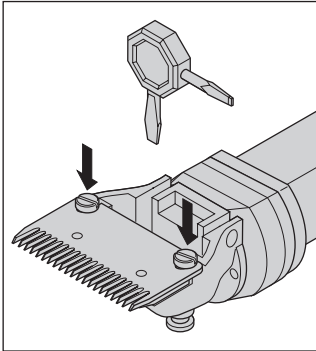
4



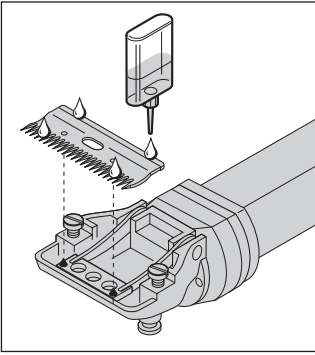
5



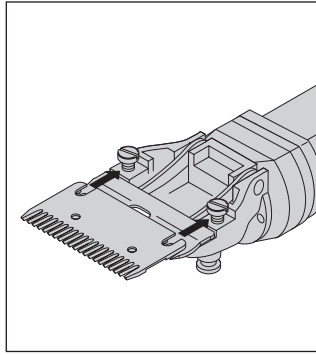
6



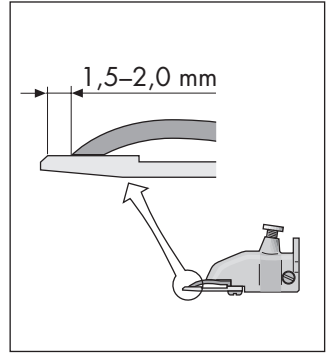
7



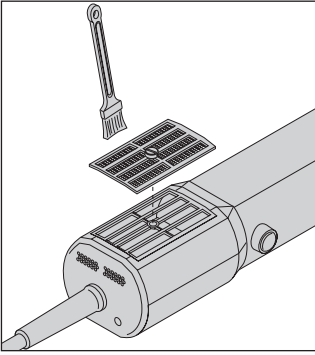
8



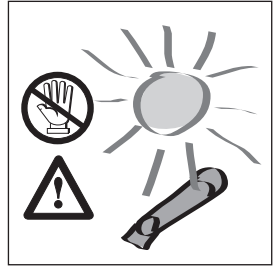
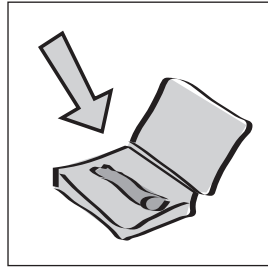
9



10



11



12

garantía

Item	Artikel
Artículo	Artikel
Article	Artikel
Artikel	Artikkel
Articolo	Tuote
Artico	Προϊόν

garantie

Serial no.	Serie nr.
No. de serie	Serie Nr.
No. de série	Serienr.
Seriennummer	Serie nummer
No. di serie	Sarjanro
No. de série	Αρ. σειράς

warranty

Date of purchase	Datum van aankoop
Fecha de compra	Købsdato
Date d'achat	Köpdatum
Kaufdatum	Kjøpsdato
Data di vendita	Ostopäivä
Data de compra	Ημερομηνία αγοράς

Stamp and signature
Sello y firma
Cachet et signature
Stempel und Unterschrift
Timbro e firma
Carimbo e assinatura
Stempel en handtekening
Stempel og underskrift
Stämpel och namnteckning
Stempel og underskrift fra forretningen
Μυγγάν leima ja allekirjoitus
Σφραγίδα και υπογραφή

In case of claim, please return your machine with the instruction manual and the warranty card directly to your local distributor. Please do not cut off the warranty card from the instruction manual.

En caso de garantía, devuelva su máquina con el manual de instrucciones y la carta de garantía directamente a su distribuidor local. Por favor no recorte la carta de garantía del manual.

En cas de garantie, retournez votre machine avec le mode d'emploi et la carte de garantie directement à votre distributeur local. Nous vous prions de ne pas couper la carte de garantie du mode d'emploi.

Im Garantiefall retournieren Sie Ihre Maschine mit der Bedienungsanleitung und Garantiekarte direkt Ihrem lokalen Händler. Trennen Sie die Garantiekarte bitte nicht aus der Bedienungsanleitung.



We reserve the right to make technical changes and improvements without notice.