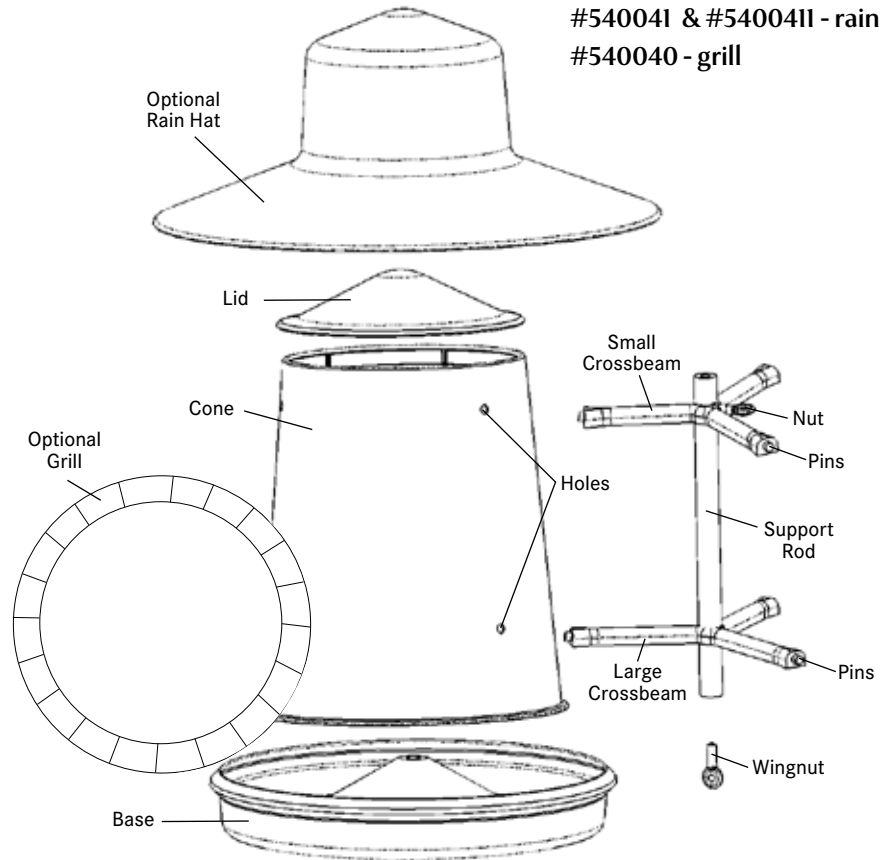


King Feeders

#540039 & #540039I - feeders
#54004I & #54004II - rain hats
#540040 - grill

1. Insert pins of the smaller crossbeam (rounded side up) into the holes in the top of the cone.
2. Insert the larger crossbeam (rounded side up) into the lower holes of the cone.
3. Insert narrow end of support rod into the top of the base.
4. From the bottom of the base, hand tighten wingnut into support rod.
5. Place cone over support rod using the centers of the crossbeams as guides.
6. Tighten nut on top crossbeam to determine feeder height.
7. If using optional rain hat, remove lid.
8. If using optional grill, insert into the base.



800-282-6631

www.premier1supplies.com