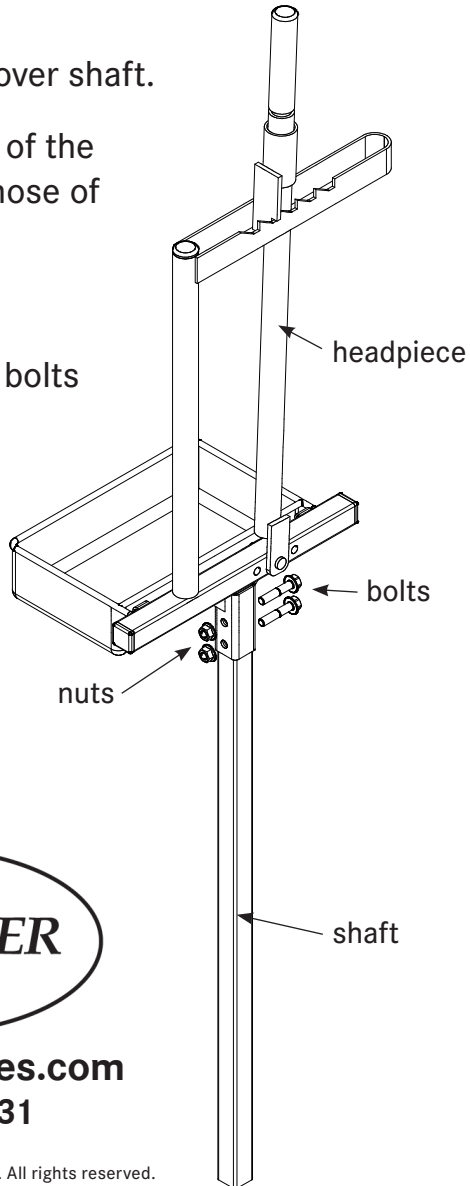


Milking Stand #819620

Headpiece & Tray Instructions

1. Place headpiece over shaft.
2. Line up the holes of the headpiece with those of the shaft.
3. Insert bolts.
4. Thread nuts onto bolts and tighten.



premier1supplies.com
800-282-6631